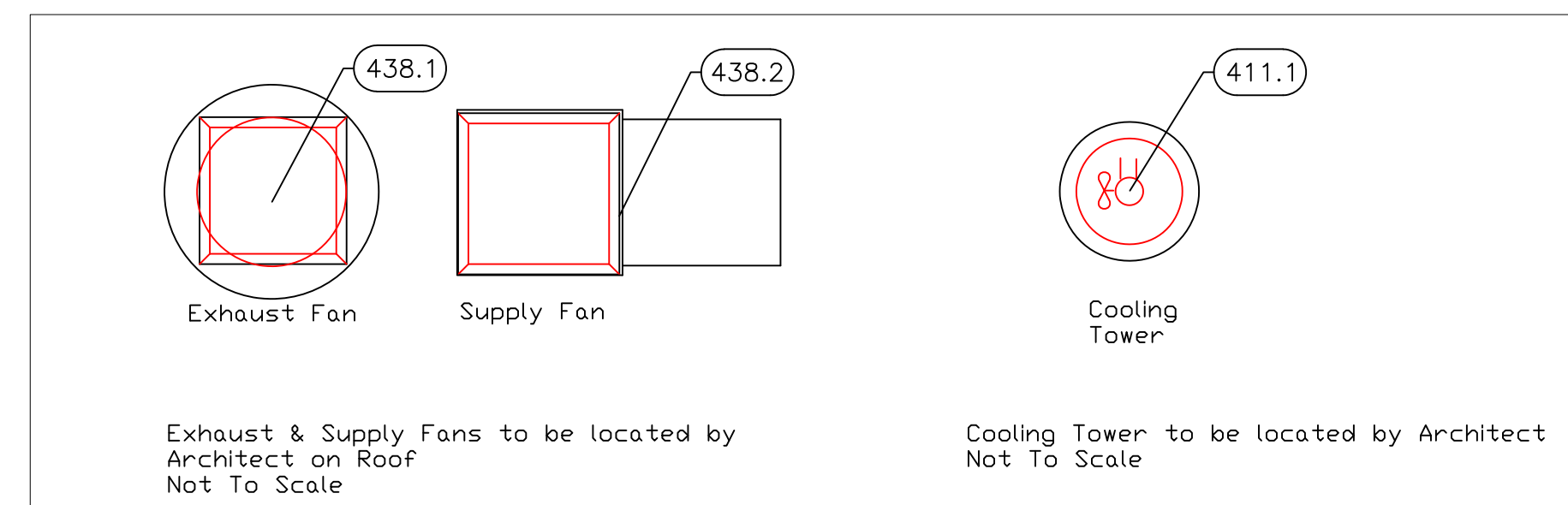


EQUIPMENT SCHEDULE					
ItemNo	Category	Mfr	Model	Quantity	Equipment Remarks
401	Ice Bin	Glastender	IBA-18-ED	1	
402	Underbar Mixology Sink Unit	Glastender	MRS-12	1	
403	Underbar Add-On Unit	Glastender	DWB-12	1	
404	Bottle Storage Unit	Glastender	LDA-18S	1	
405	Work Center	Glastender	PCB-18	1	
407	Hand Sink	Glastender	DHSB-12	1	
408	Corner Angle Filler	Glastender	IFC-24/24	2	
408.1	Drainboard	Glastender	DBC-12	2	
409	Back Bar Cabinet, Refrigerated	Glastender	C1SL48	1	
411	Shake Machine	Stoelting	F122-18I2	1	
411.1	Cooling Tower	CTS	CCT-457-3	1	
412	Drainboard	Glastender	DBC-12	1	
421	Soiled Dishtable	Advance Tabco	DTU-U60-72R-X	1	
421.1	Pre-Rinse Faucet Assembly	Krowne	17-108WL	1	
421.2	Dishable Sorting Shelf	Advance Tabco	DT-6R-22	1	
422	Wire Shelving Unit	Quantum	WR63-1824P	1	
423	Dishwasher, Undercounter	Jackson WWS	DISHSTAR HT-E-SEER	1	
431	Work Table, Stainless Steel Top	Advance Tabco	KMS-249	1	
432	Gas Floor Fryer	Imperial	IFS-40	1	
433	Griddle, Gas, Countertop	Star	624MF	1	
433.1	Salamander Broiler, Gas	Turbo Air	TASM-24	1	
434	Hotplate, Countertop, Gas	Star	604HF	1	
435	Charbroiler, Gas, Countertop	Star	6024CBF	1	
436	Equipment Stand, Refrigerated Base	Continental Refrigerator	D72GN	1	
437	Shelving, Wall Mounted	Advance Tabco	DT21-4	1	
438	Exhaust Hood	Captive-Aire	HOOD	1	
438.1	Exhaust Fan	Captive-Aire	AH-NCA16FA	1	
438.2	Supply Fan	Captive-Aire	DMUA18FA	1	
440	Three (3) Compartment Sink	Advance Tabco	FC-3-1515	1	
440.1	Wall / Splash Mount Faucet	Krowne	14-810L	2	
440.2	Overshelf	Advance Tabco	PS-15-48	1	
442	Sandwich / Salad Preparation Refrigerator	True Mfg. - General Foodservice	TSSU-72-18-HC	1	
442.1	Shelving, Wall Mounted	Advance Tabco	WS-12-84	2	
445	Reach-In Undercounter Freezer	True Mfg. - General Foodservice	TUC-27F-HC	1	
445.1	Shelving, Wall Mounted	Advance Tabco	WS-12-24	4	
446	Undercounter Refrigerator	True Mfg. - General Foodservice	TUC-36-HC	1	
447	Table with Sink	Custom Fab	Q1323A-447	1	
447.1	Deck Mount Faucet	Krowne	15-408L	1	
448	Grease Interceptor	Klinger's Trading	GT-20	1	
449	Grease Interceptor	Klinger's Trading	GT-70	1	



# EQUIPMENT LAYOUT

All Dimensions to be verified on the job site. Actual locations for floor drains, and any ventilating equipment to be determined by Engineer. Mechanical, Plumbing & Electrical to be checked and verified by Customers MEP Engineer. Remote Condensing Units to be located by Architect. Exhaust & Supply fans to be located by Architect.

**A N d A Z**  
**Container Kitchen & Bar**  
**Providenciales T&C**



INTERNATIONAL INC.

2055 W 73rd Street, Miami, FL 33016  
 Ph: (305)826-8696 Fax: (305)826-9131

No.	Revision/Issue	Date
5	Update after Hyatt ADS Review. Removed IDS.	1-31-22
6	Update after Budget Review	12-6-22
7	Update after Final Hyatt Review.	1-26-23
8	Added Water-Cooled Beverage Machine to Bar.	5-15-23

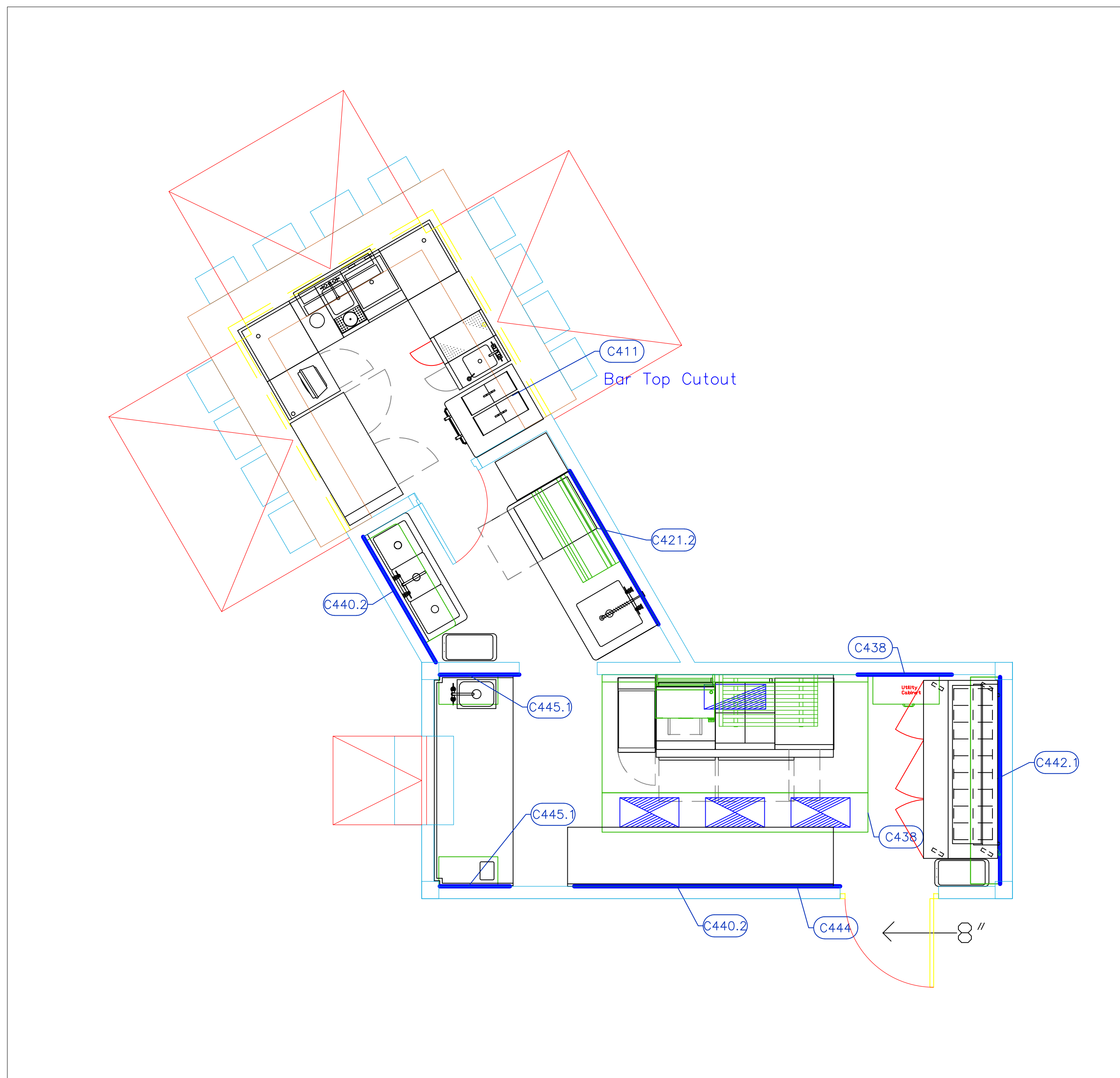
Date  
**May 15, 2023**  
 Drawn By  
**Dayne Gauntlett**  
 Scale  
**3/8" = 1'0"**

Sheet  
**CK-1**

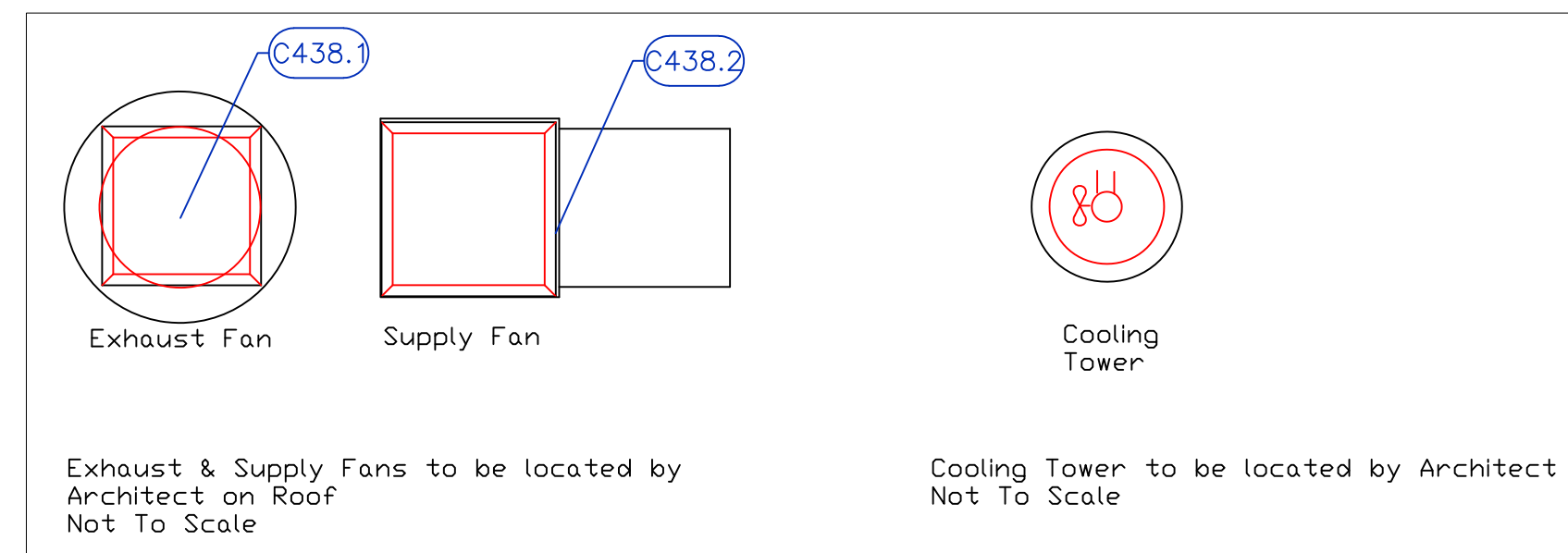
5	Update after Hyatt ADS Review. Removed IDS.	1-31-22
6	Update after Budget Review	12-6-22
7	Update after Final Hyatt Review.	1-26-23
8	Added Water-Cooled Beverage Machine to Bar.	5-15-23
No.	Revision/Issue	Date

Date  
**May 15, 2023**  
 Drawn By  
**Dayne Gauntlett**  
 Scale  
**3/8" = 1'0"**

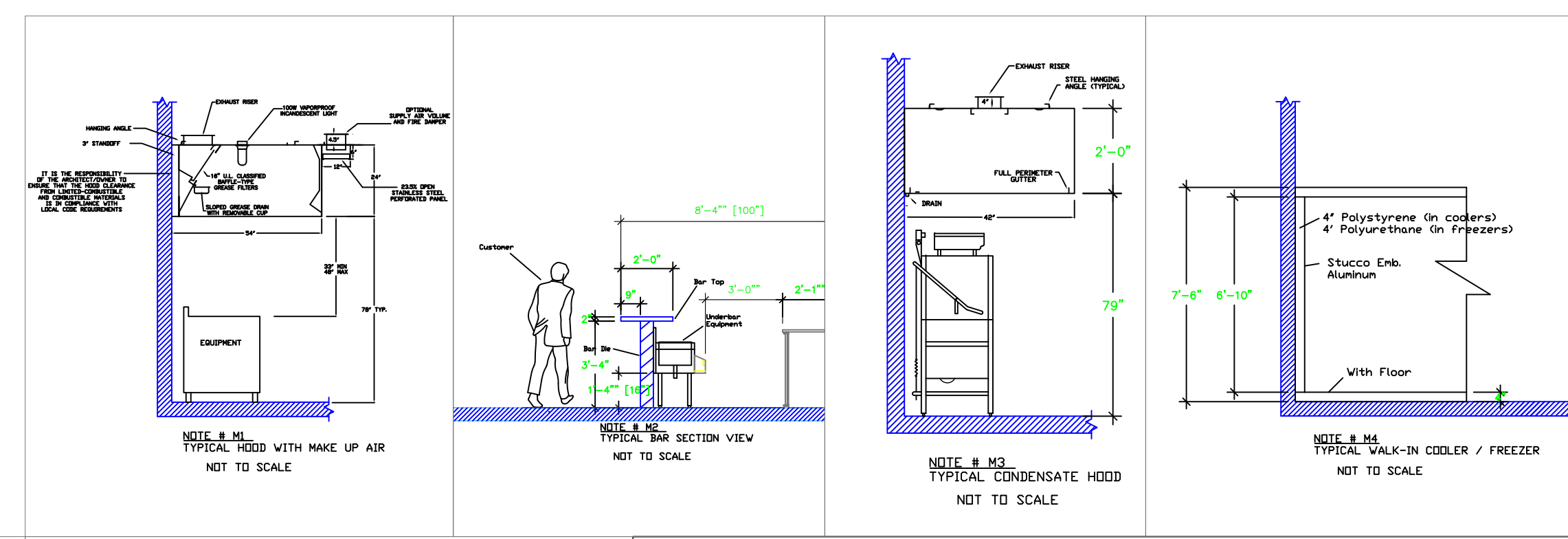
Sheet  
**CK-2**



Mechanical Schedule							
ITEM NO.	QTY	DISCRIPTION	EXHAUST (L X W)	EXHAUST (CFM)	SUPPLY (L X W)	SUPPLY (CFM)	Ventilation Remarks
411	1	Shake Machine					Bar Top will need a cutout
421.2	1	Dishable Sorting Shelf					Wall Backing, See Note M9
438	1	Exhasut Hood	10"x25"	2646	(3) 12"x24"	1852	Wall Backing, See Note M9, for utility cabinet
438.1	1	Exhaust Fan	26"x26"	2646			Dim is Roof Opening
438.2	1	Supply Fan			20"x20"	1852	Dim is Roof Opening
442.1	2	Shelving, Wall Mounted					Wall Backing, See Note M9



- LEGEND -- MECHANICAL**
- EXHAUST DUCT COLLAR
  - SUPPLY DUCT COLLAR
  - INWALL BACKING FOR WALL SHELVES
  - RECESSED FLOOR
  - RAISED EQUIPMENT PAD



**NOTE # M5**  
 ALL NATIONAL, STATE, AND LOCAL CODES SHALL APPLY

**NOTE # M6**  
 ARCHITECT OR ENGINEER TO SIZE AND LOCATE, CONTRACTOR TO PROVIDE ALL OPENINGS FOR DUCTS, PLUMBING LINES, ELECTRICAL LINES, AND REFRIGERATION LINES, AS REQUIRED BY EQUIPMENT.

**NOTE # M7**  
 SUPPLY FANS TO BE LOCATED A MINIMUM OF 10' FROM EXHAUST FANS.

**NOTE # M8**  
 SHEET DRAWING WILL BE PROVIDED BY MANUFACTURER FOR HOOD, EXHAUST FANS, & SUPPLY FANS, UNCE ORDER IS PLACE WITH.

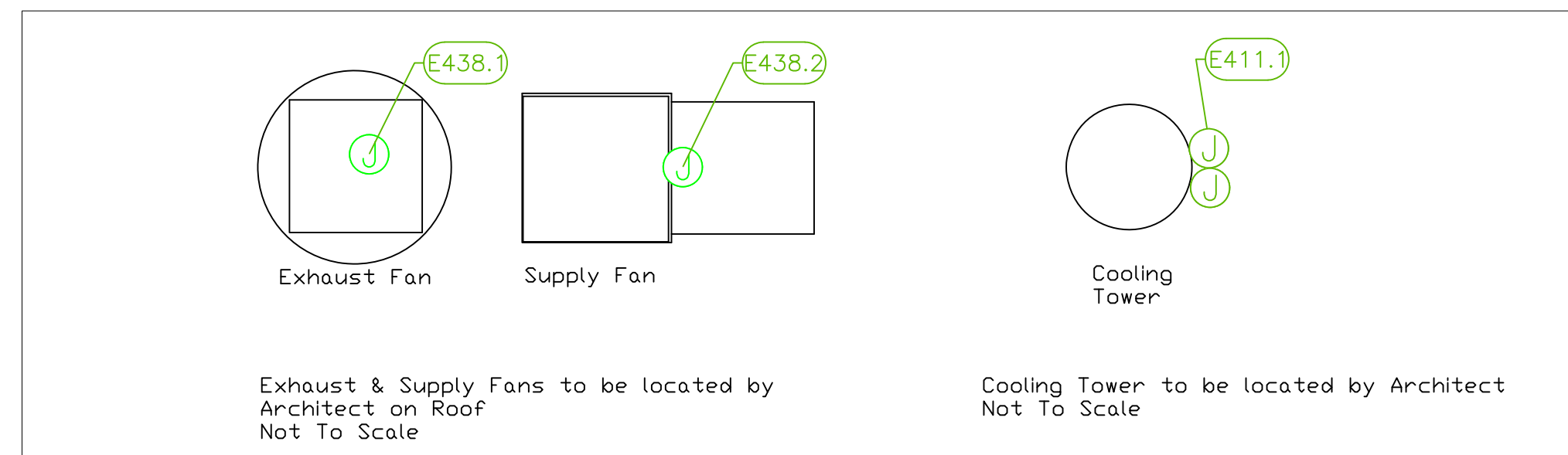
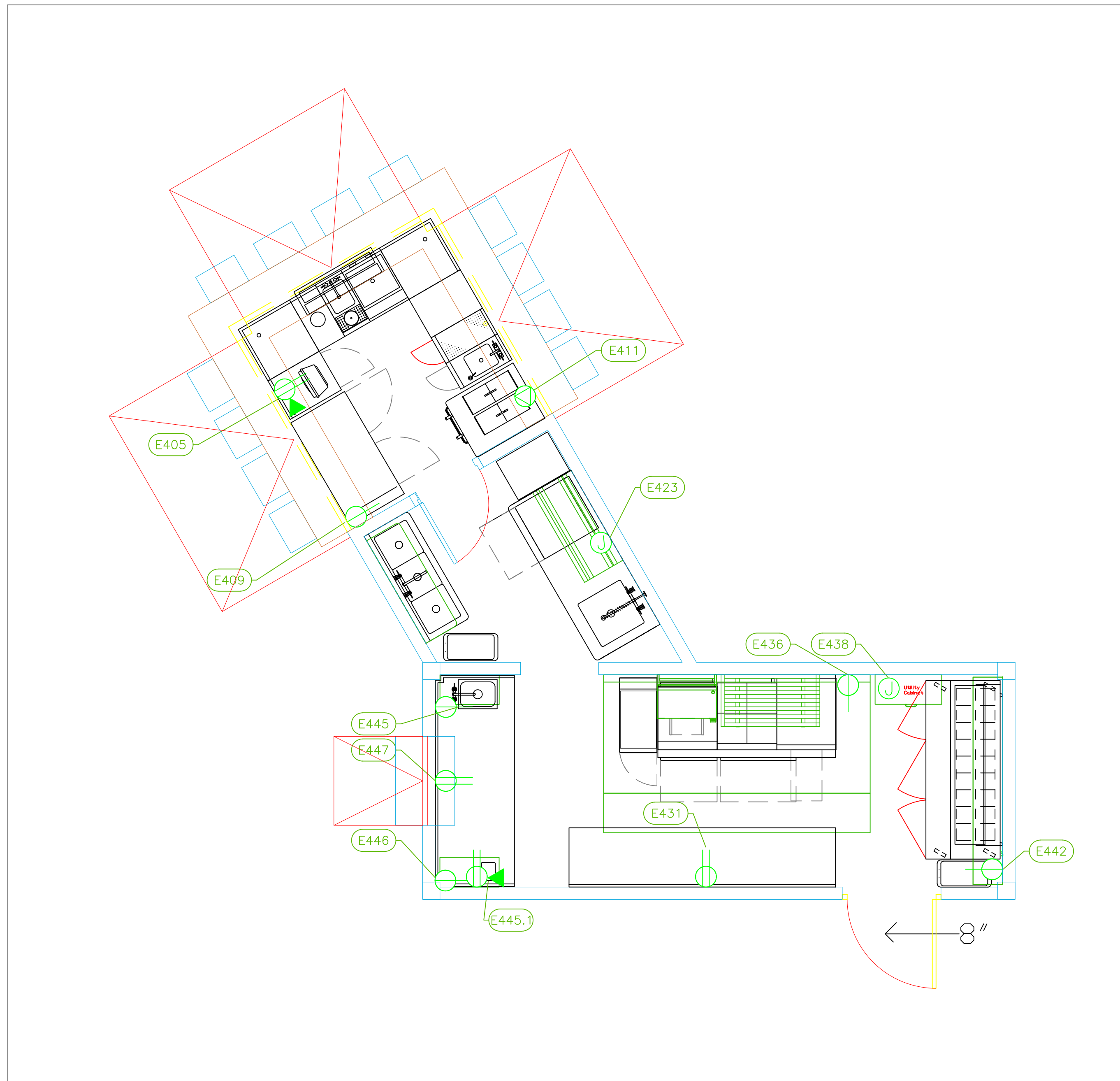
**NOTE # M9**  
 GENERAL CONTRACTOR TO PROVIDE 2\"/>

**NOTE # M10**  
 CEILING HEIGHTS TO BE VERIFIED FOR SUFFICIENT CLEARANCE FOR EQUIPMENT.

**NOTE # M11**  
 REFRIGERATION CONTRACTOR TO HANG EVAPORATORS FOR WALK-IN, RUN & CHARGE LINES BETWEEN EVAP. & CONDENSING UNIT.

## Equipment MECHANICAL Service Requirements

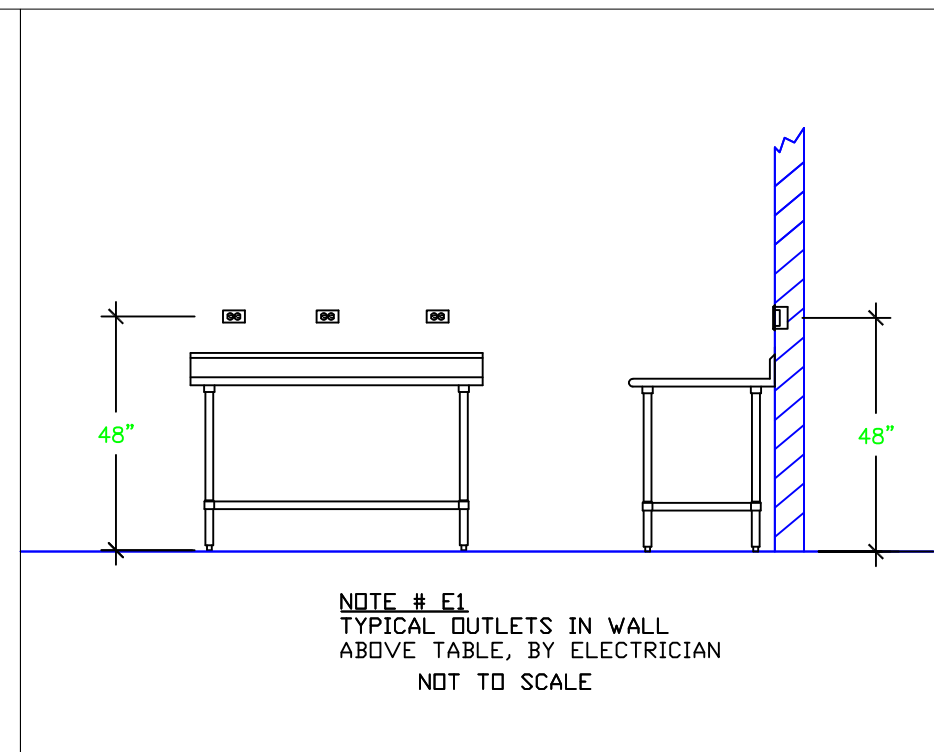
All Dimensions to be verified on the job site. Actual locations for floor drains, and any ventilating equipment to be determined by Engineer. Mechanical, Plumbing & Electrical to be checked and verified by Customers MEP Engineer. Remote Condensing Units to be located by Architect. Exhaust & Supply Fans to be located by Architect.



ELECTRICAL SCHEDULE											
ItemNo	Category	Voltage	Cycle	Phase	Amps	Hp	NEMA	ConnectionType	Rough-In AFF	Quantity	Electrical Remarks
405	Work Center	115	60	1	15			Duplex	14"	1	Connecting for POS station
409	Back Bar Cabinet, Refrigerated	n/a	n/a	n/a	n/a			DATA	14"	1	
411	Shake Machine	120	60	1	2.75	1/8	5-15P	Simplex	18"	1	
411.1	Cooling Tower	208-240	60	1	14.5			Special	18"	1	
		120/208	60	1		1/6		J-Box	18"	1	Fan Motor
		120/208	60	1		1/2		J-Box	18"	1	Sump Pump
423	Dishwasher, Undercounter	208	60	1	24.7	1		J-box	18"	1	Verify
431	Work Table, Stainless Steel Top	115	60	1	15			Duplex	48"	1	Convenience Outlets, See Note E1
436	Equipment Stand, Refrigerated Base	115	60	1	4.2	1/4	5-15P	Simplex	18"	1	
438	Exhaust Hood	115	60	1	15			J-Box	108"	1	Elec for Lights at Control Box
438.1	Exhaust Fan	230	60	1	6.0	1.5		J-Box	108"	1	Elec at Control Box
438.2	Supply Fan	230	60	1	1.8	.333		J-Box	108"	1	Elec at Control Box
442	Sandwich / Salad Preparation Refrigerator	115	60	1	7.2	1/2	5-15P	Simplex	18"	1	
445	Reach-In Undercounter Freezer	115	60	1	2.3	1/4	5-15P	Simplex	18"	1	
445.1	Shelving, Wall Mounted	115	60	1	15			Duplex	60"	4	
		n/a	n/a	n/a	n/a			DATA	60"	4	
446	Undercounter Refrigerator	115	60	1	2	1/6	5-15P	Simplex	18"	1	
447	Table with Sink	115	60	1	15			Duplex	48"	1	Convenience Outlet. See Note E1

**LEGEND - ELECTRICAL CONNECTIONS**

- DUPLEX RECEPT., 15-AMP, 120-VOLT, GROUND TYPE, HORIZONTAL MOUNT
- SIMPLEX RECEPT., 120-VOLT, GROUND TYPE, HORIZONTAL MOUNT
- SPECIAL PURPOSE OUTLET, GROUND TYPE, HORIZONTAL MOUNT
- JUNCTION BOX, DIRECT CONNECTION
- DISCONNECT SWITCH, DIRECT CONNECTION
- FLOOR/CEILING RECEPTACLE AS INDICATED
- (2) Telephone + (2) Data
- FIELD CONNECTIONS
- HARD WIRE CONNECTION POINT AT MACHINE



**NOTE # E2**  
ALL NATIONAL, STATE, AND LOCAL CODES SHALL APPLY

**NOTE # E3**  
ALL ELECTRICAL CONNECTIONS AND HARDWARE REQUIRED TO BE PROVIDED BY ELECTRICAL CONTRACTOR

**NOTE # E4**  
ALL JUNCTION BOXES, OUTLETS, ETC. TO BE LOCATED SO AS TO NOT INTERFERE WITH EQUIPMENT

**NOTE # E5**  
ALL RELAYS, CONTRACTORS, STARTERS, AND SWITCHES REQUIRED FOR EXHAUST & SUPPLY FANS TO BE PROVIDED BY ELECTRICAL CONTRACTOR UNLESS SPECIFIED

**NOTE # E6**  
ELECTRICAL CONTRACTOR TO INTERCONNECT DISHMACHINE TO EXHAUST FAN FOR DISHMACHINE SO THAT THE FAN RUNS WHEN THE DISHMACHINE IS IN OPERATION.

**NOTE # E7**  
ELECTRICAL CONTRACTOR TO INSTALL TABLE LIMIT SWITCH TO END OF CLEAN DISHTABLE TO THAT MACHINE STOPS WHEN SWITCH IS DEPRESSED.

**NOTE # E8**  
ELECTRICAL CONTRACTOR TO CONNECT DRAIN LINE HEATER, PAN HEATER AND DDDR HEATER FOR WALK-IN FREEZER.

## Equipment ELECTRICAL Service Requirements

All Dimensions to be verified on the job site. Actual locations for floor drains, and any ventilating equipment to be determined by Engineer. Mechanical, Plumbing & Electrical to be checked and verified by Customers MEP Engineer. Remote Condensing Units to be located by Architect. Exhaust & Supply fans to be located by Architect.

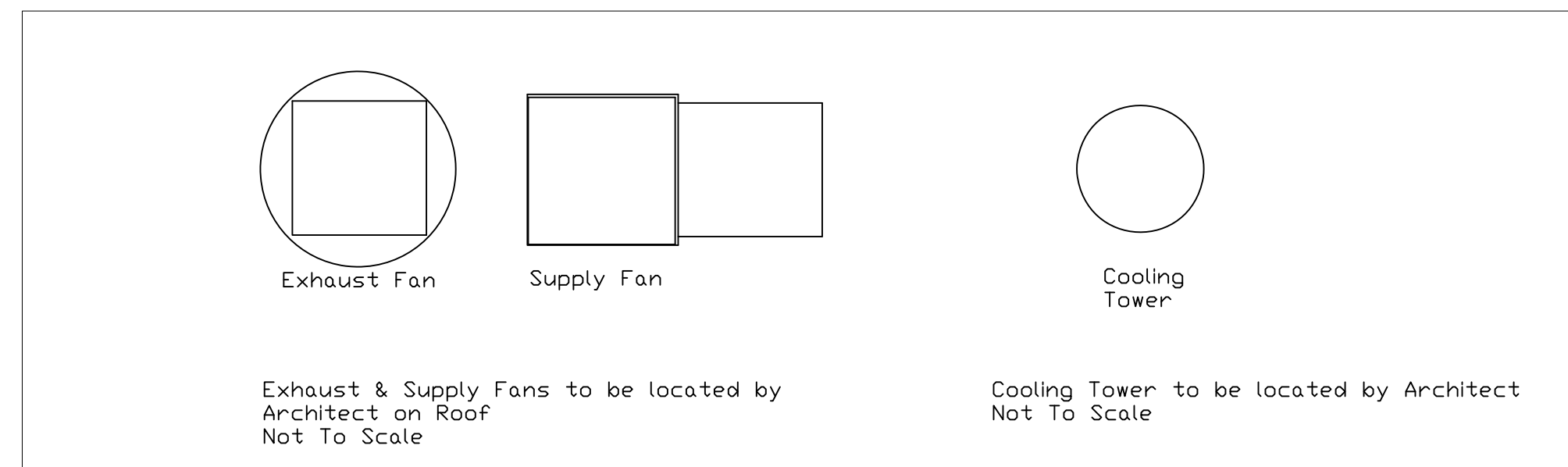
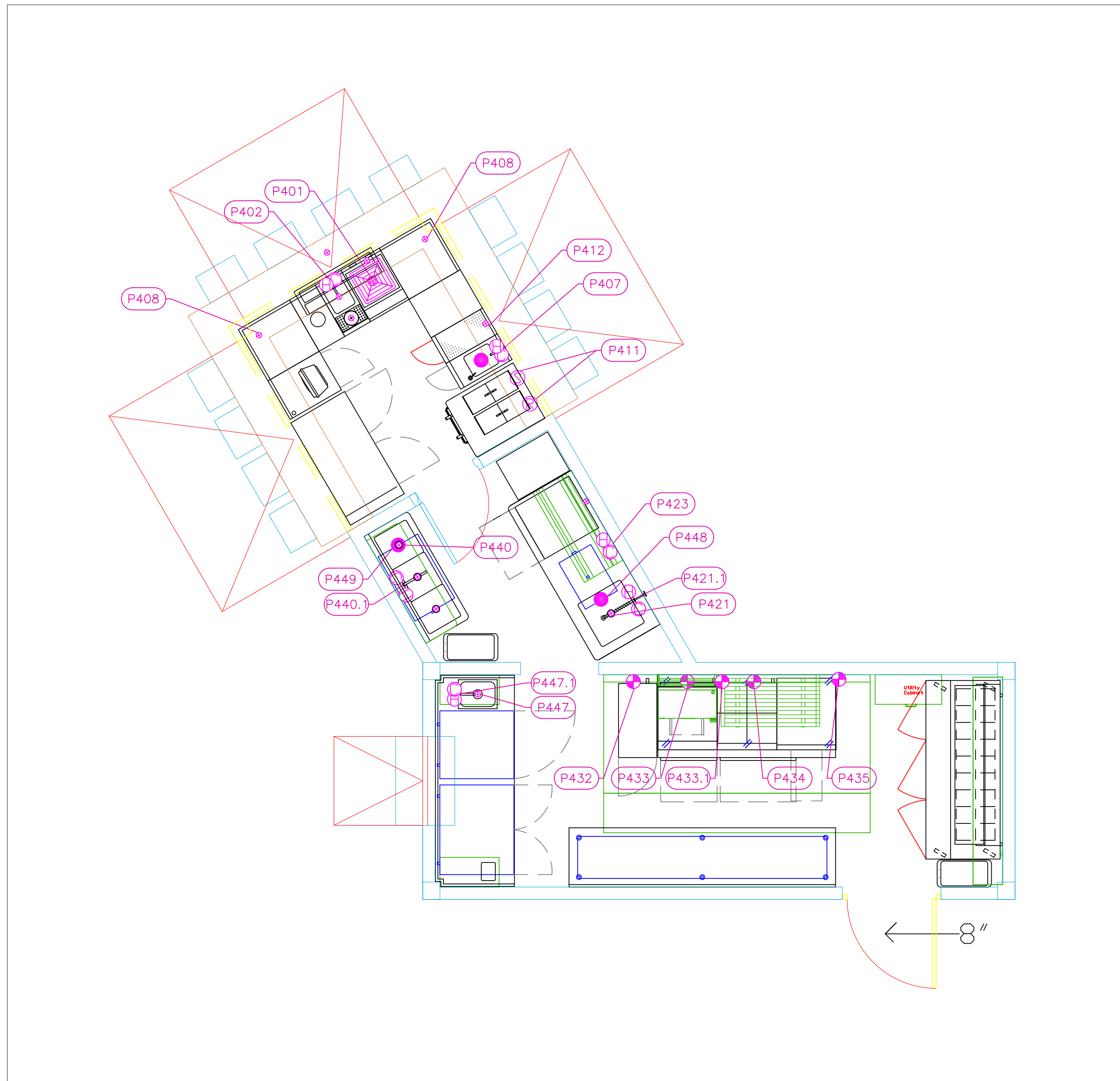
**A N d A Z**  
Container Kitchen & Bar  
Providenciales T&C

**uni-source SUPPLY**  
INTERNATIONAL INC.  
2055 W 73rd Street, Miami, FL 33016  
Ph:(305)826-8696 Fax:(305)826-9131

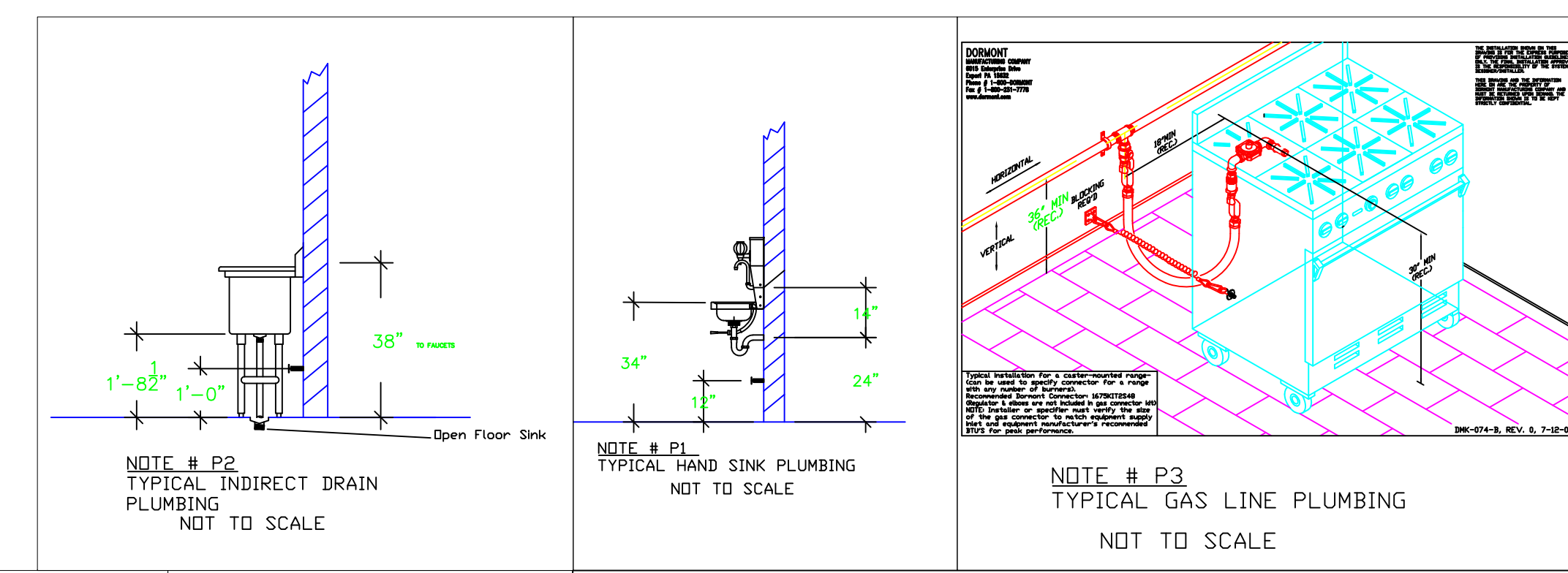
No.	Revision/Issue	Date
5	Update after Hyatt ADS Review. Removed IDS.	1-31-22
6	Update after Budget Review	12-6-22
7	Update after Final Hyatt Review.	1-26-23
8	Added Water Cooled Beverage Machine to Bar.	5-15-23

Date  
**May 15, 2023**  
Drawn By  
**Dayne Gauntlett**  
Scale  
**3/8" = 1'0"**

Sheet  
**CK-3**



PLUMBING SCHEDULE											
ITEM NO.	DESCRIPTION	COLD WATER SIZE	HOT WATER SIZE	H&C Rough-In	DIRECT WASTE SIZE	DIRECT WASTE AFF	INDIRECT WASTE SIZE	GAS SIZE(IN)	GAS MBTU	QTY	PLUMBING REMARKS
401	Ice Bin						1-1/2"			1	Waste to Floor Sink
402	Underbar Mixology Sink Unit	3/8"		12"			1-1/2"			1	Glass rinser, Sink waste
		3/8"	3/8"	12"						1	Sink faucet
407	Hand Sink	3/8"	3/8"	12"	1-1/2"	24"				1	
408	Corner Angle Filler	3/8"	3/8"	12"			1-1/2"			2	Waste to Floor Sink
408.1	Drainboard						1/2"			2	
411	Shake Machine									1	Water Cooled Unit to Connect to 411.1 Chiller
412	Drainboard						1/2"			1	
421	Soiled Dishtable						1-1/2"			1	
421.1	Pre-Rinse Faucet Assembly	1/2"	1/2"	12"						1	
423	Dishwasher, Undercounter	3/4"		12"			1-3/8" OD			1	Water size note: 3/4" male GHT (connect to true 1/2" ID Line)
432	Gas Floor Fryer							3/4"	105.0	1	See Note P3
433	Griddle, Gas, Countertop							3/4"	56.6	1	See Note P3
433.1	Salamander Broiler, Gas							3/4"	25.0	1	See Note P3
434	Hotplate, Countertop, Gas							3/4"	100	1	See Note P3
435	Charbroiler, Gas, Countertop							3/4"	80.0	1	See Note P3
440	Three (3) Compartment Sink						(3) 1-1/2"			1	Waste to Grease Trap
440.1	Wall / Splash Mount Faucet	1/2"	1/2"	12"						2	
447	Table with Sink						1-1/2"			1	Waste to Floor Sink
447.1	Deck Mount Faucet	1/2"	1/2"	12"						1	



**LEGEND — PLUMBING CONNECTIONS**

- HW—HOT WATER, OR CW—COLD WATER
- GAS
- WASTE, DIRECT—CONNECTED
- WASTE, INDIRECT—to Floor Sink, or Floor Drain
- FUNNEL FLOOR DRAIN Josam 30000—E3
- FLOOR DRAIN Josam 30000—A3
- FLOOR SINK Zurn FD—2370—y—PV4—F
- FILTERED WATER, at machine.
- CHILL WATER SUPPLY & RETURN

**NOTE # P4.**  
ALL NATIONAL, STATE, AND LOCAL CODES SHALL APPLY

**NOTE # P5.**  
ALL PLUMBING CONNECTIONS TO BE EXTENDED AND INTERCONNECTED TO EQUIPMENT AND ALL HARDWARE REQUIRED TO BE PROVIDED BY PLUMBING CONTRACTOR

**NOTE # P6.**  
PLUMBING CONTRACTOR TO VERIFY THAT ALL EQUIPMENT IS INSTALLED WITH THE APPROPRIATE GAS PRESSURE AND REGULATORS

**NOTE # P7.**  
ALL WASTE LINES AND CONDENSATE LINES TO BE EXTEND FROM EQUIPMENT TO FLOOR DRAINS BY PLUMBING CONTRACTOR.

## Equipment PLUMBING Service Requirements

All Dimensions to be verified on the job site. Actual locations for floor drains, and any ventilating equipment to be determined by Engineer. Mechanical, Plumbing & Electrical to be checked and verified by Customers MEP Engineer. Remote Condensing Units to be located by Architect. Exhaust & Supply fans to be located by Architect.

**A N d A Z**  
Container Kitchen & Bar  
Providenciales T&C



INTERNATIONAL INC.  
2055 W 73rd Street, Miami, FL 33016  
Ph:(305)826-8696 Fax:(305)826-9131

5	Update after Hyatt ADS Review. Removed IDS.	1-31-22
6	Update after Budget Review	12-6-22
7	Update after Final Hyatt Review.	1-26-23
8	Added Water Cooled Beverage Machine to Bar.	5-15-23
No.	Revision/Issue	Date

Date  
**May 15, 2023**  
Drawn By  
**Dayne Gauntlett**  
Scale  
**3/8" = 1'0"**

Sheet  
**CK-4**

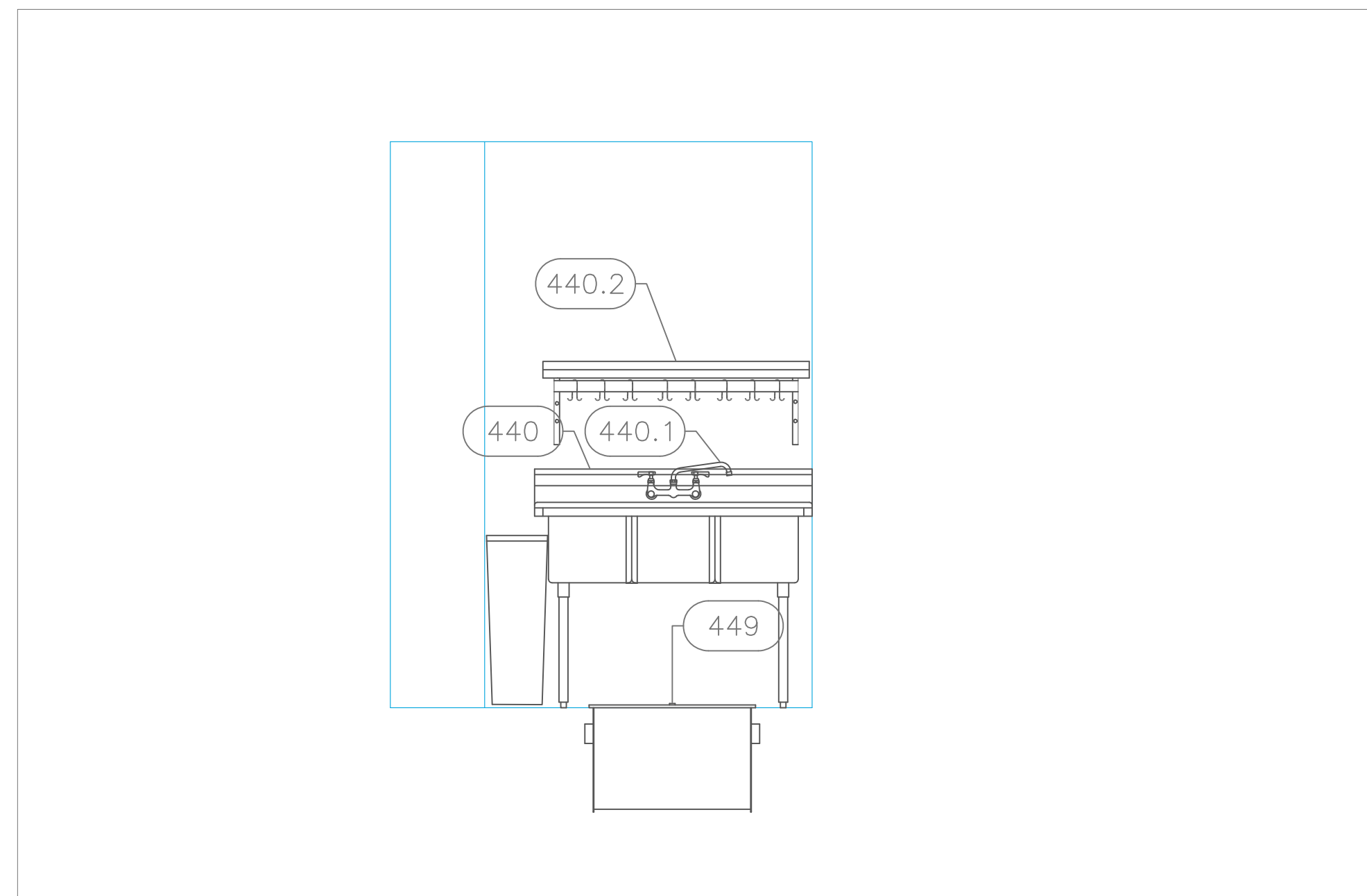
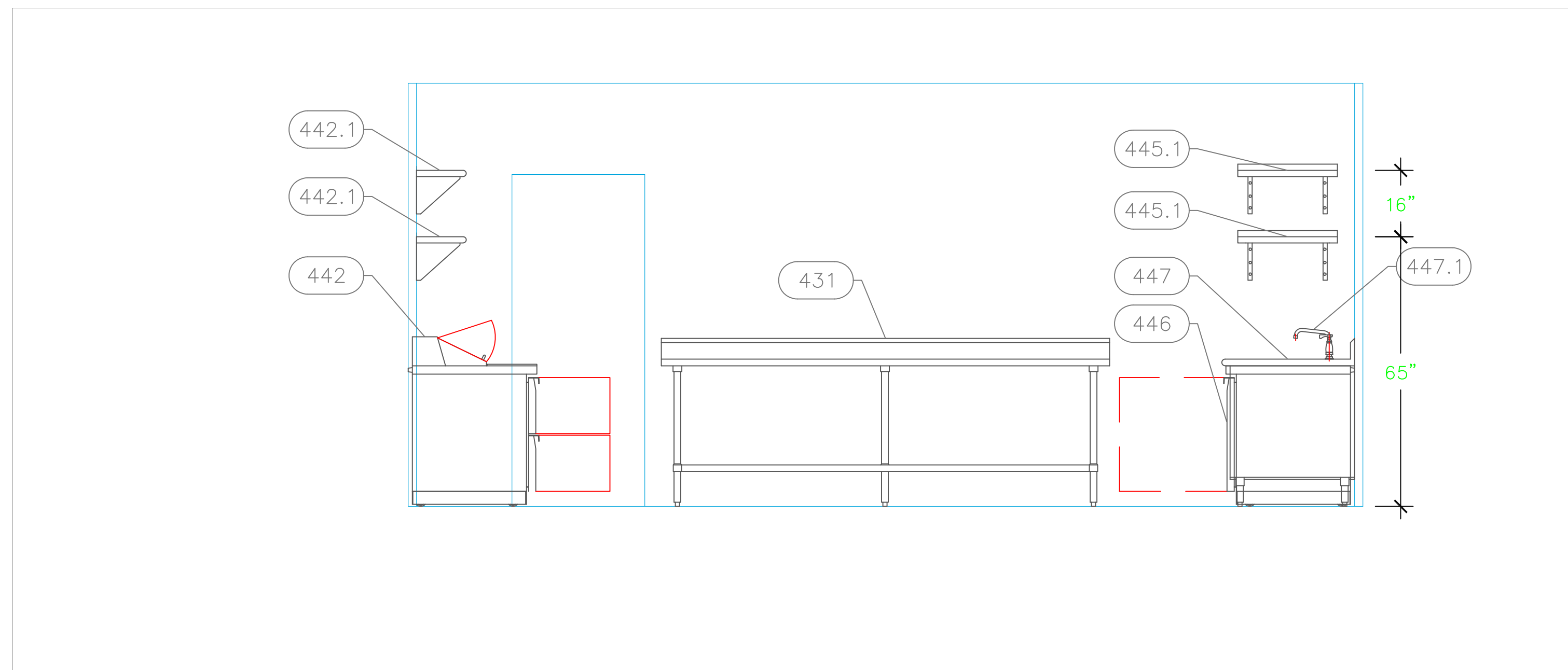
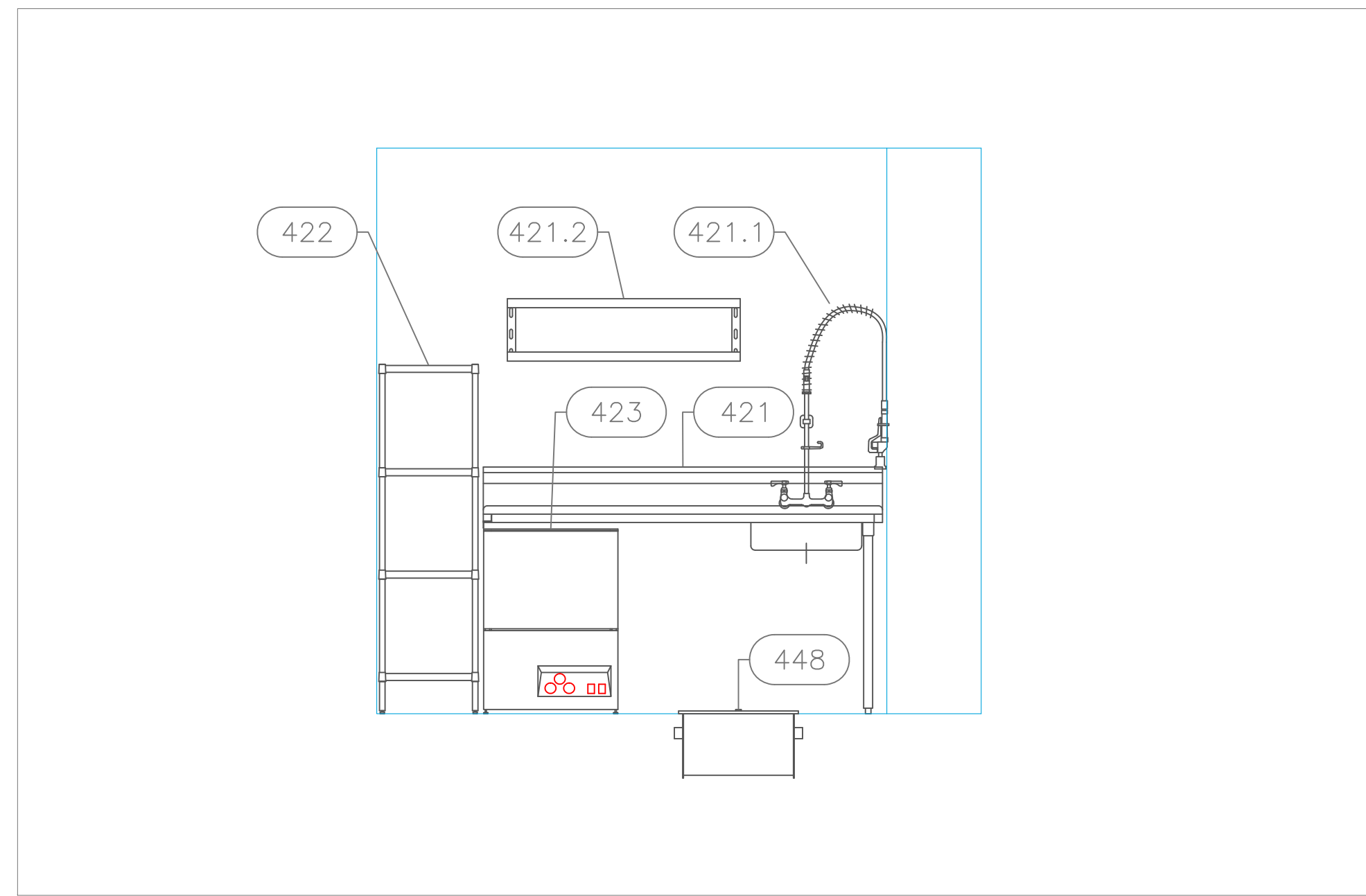
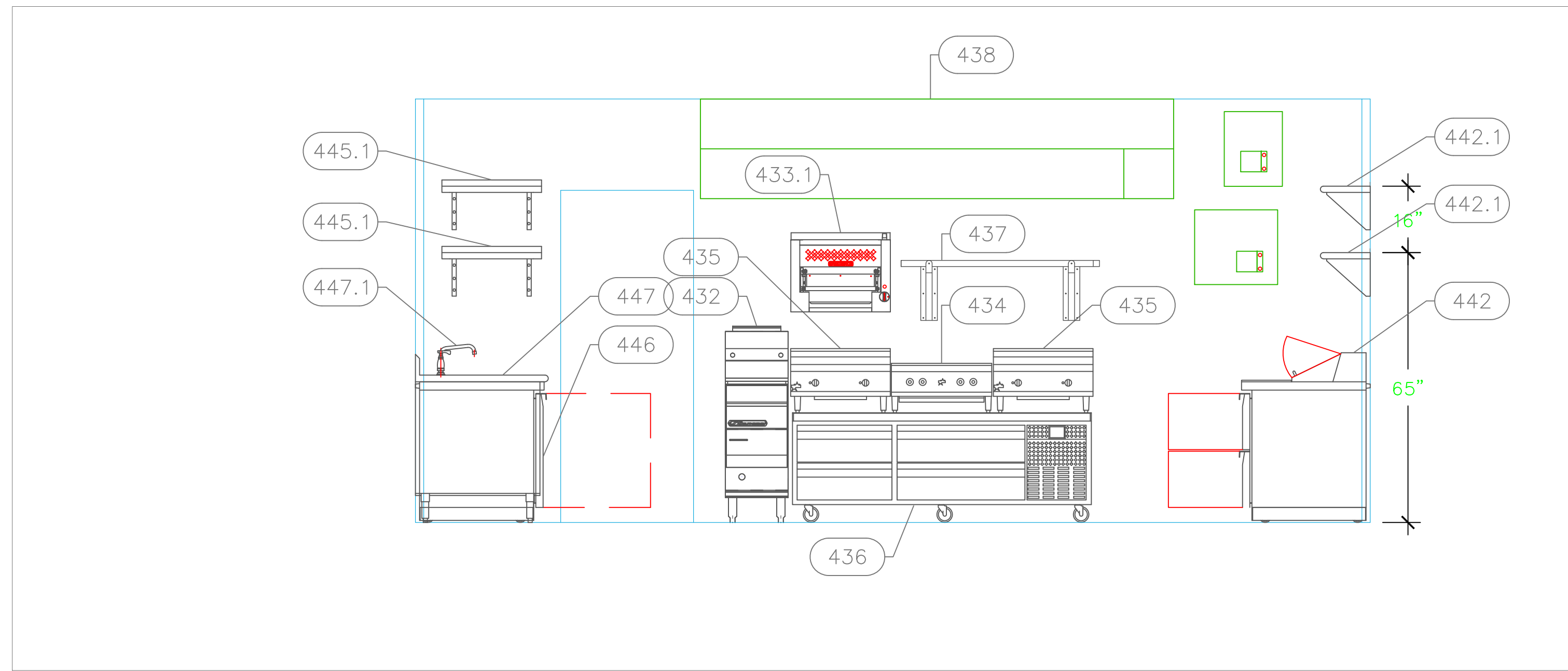
**A N d A Z**  
**Container Kitchen & Bar**  
**Providenciales T&C**

**uni-source**  
 SUPPLY  
 INTERNATIONAL INC.  
 2055 W 73rd Street, Miami, FL 33016  
 Ph: (305)826-8696 Fax: (305)826-9131

No.	Revision/Issue	Date
5	Update after Hyatt ADS Review. Removed IDS.	1-31-22
6	Update after Budget Review	2-6-22
7	Update after Final Hyatt Review.	1-26-23
8	Added Water Cooled Beverage Machine to Bar.	5-15-23

Date  
**May 15, 2023**  
 Drawn By  
**Dayne Gauntlett**  
 Scale  
**1/2" = 1'**

Sheet  
**CK-5**



**HOOD INFORMATION - Job#4308263**

HOOD NO.	TAG	MODEL	LENGTH	MAX. COOKING TEMP.	TYPE	APPLIANCE DUTY	DESIGN CFM/FT	TOTAL EXH. CFM	EXHAUST PLENUM RISER(S)					TOTAL SUPPLY CFM	HOOD CONSTRUCTION	HOOD END TO END	HOOD CONFIG.
									WIDTH	LENG.	HEIGHT	DIA.	CFM				
1		4812 AH-SND-2-PSP-F	9' 0"	600 Deg	I	Heavy	294	2646	10'	25"	4"	2646	1524	-0.875"	1852	304 SS Where Exposed	ALONE

**HOOD INFORMATION**

HOOD NO.	TAG	TYPE	QTY	HEIGHT	LENGTH	EFFICIENCY @ 7 MICRONS	QTY	TYPE	WIRE GUARD	LOCATION	SIZE	UTILITY CABINETS		ELECTRICAL	SWITCHES	FIRE SYSTEM PIPING	HOOD HANGING WGT	
												FIRE SYSTEM	SIZE					MODEL #
1		Captrate Solo Filter	6	20"	16"	85% See Filter Spec.	5	Recessed	ND								ND	449 LBS

**PERFORATED SUPPLY PLENUM(S)**

HOOD NO.	TAG	POS.	LENGTH	WIDTH	HEIGHT	TYPE	RISER(S)			CFM	S.P.	
							WIDTH	LENG.	DIA.			
1		Front	108"	16"	6"	MUA	12"	24"	617	0.171"		
						MUA	12"	24"	617	0.171"		
						MUA	12"	24"	617	0.171"		

CAPTIVE-AIRE HOODS ARE BUILT IN COMPLIANCE WITH UL 710 AND NFPA 96 AND ARE RECOGNIZED BY ONE OR MORE OF THE FOLLOWING:  
  
ETL SANITATION LISTED  
ETL LISTED FILE# 3054804-001

**SPECIFICATION: CAPTRATE® GREASE-STOP® SOLID FILTER**

THE CAPTRATE GREASE-STOP SOLID FILTER IS A SINGLE-STAGE FILTER FEATURING A UNIQUE S-Baffle DESIGN IN CONJUNCTION WITH A SLOTTED REAR Baffle DESIGN, TO DELIVER EXCEPTIONAL FILTRATION EFFICIENCY.

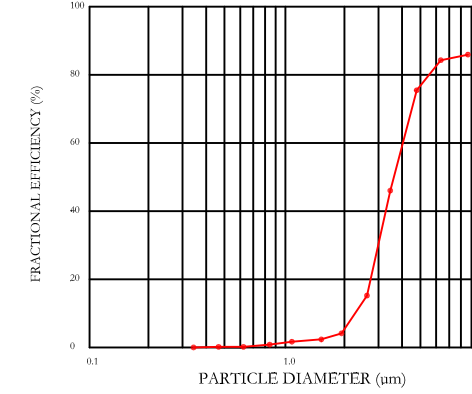
FILTER IS STAINLESS STEEL CONSTRUCTION, AND SIZED TO FIT INTO STANDARD 2-INCH DEEP HOOD CHANNEL(S).

UNITS SHALL INCLUDE STAINLESS STEEL HANDLES AND A FASTENING DEVICE TO SECURE THE TWO COMPONENTS WHEN ASSEMBLED.

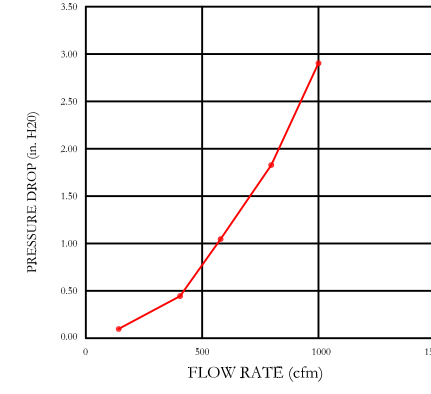
GREASE EXTRACTION EFFICIENCY PERFORMANCE SHALL REMOVE AT LEAST 75% OF GREASE PARTICLES FIVE MICRONS IN SIZE, AND 85% GREASE PARTICLES SEVEN MICRONS IN SIZE AND LARGER, WITH A CORRESPONDING PRESSURE DROP NOT TO EXCEED 1.0 INCHES" OF WATER GAUGE.

THE CAPTRATE GREASE-STOP SOLID WAS TESTED TO ASTM STANDARD ASTM F2519-05. MANUFACTURER APPROVED FOR USE IN SOLID FUEL APPLICATIONS AS A SPARK ARRESTER.

EFFICIENCY VS. PARTICLE DIAMETER

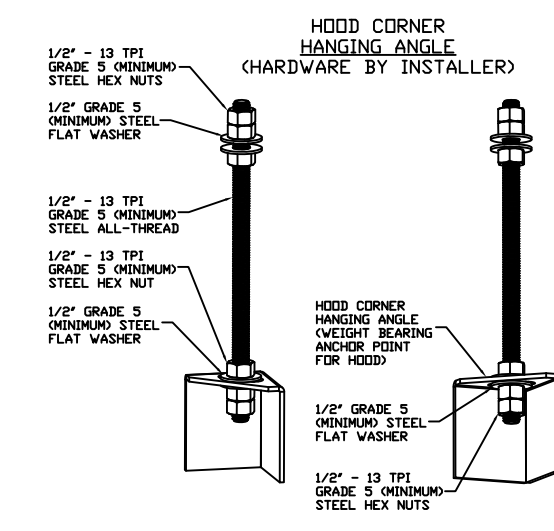


PRESSURE DROP VS. FLOW RATE



CAPTRATE FILTERS ARE BUILT IN COMPLIANCE WITH:

- NFPA 96
- NSF STANDARD #2
- UL STANDARD #1046
- INT. MECH. CODE (IMC)
- ULC-5649



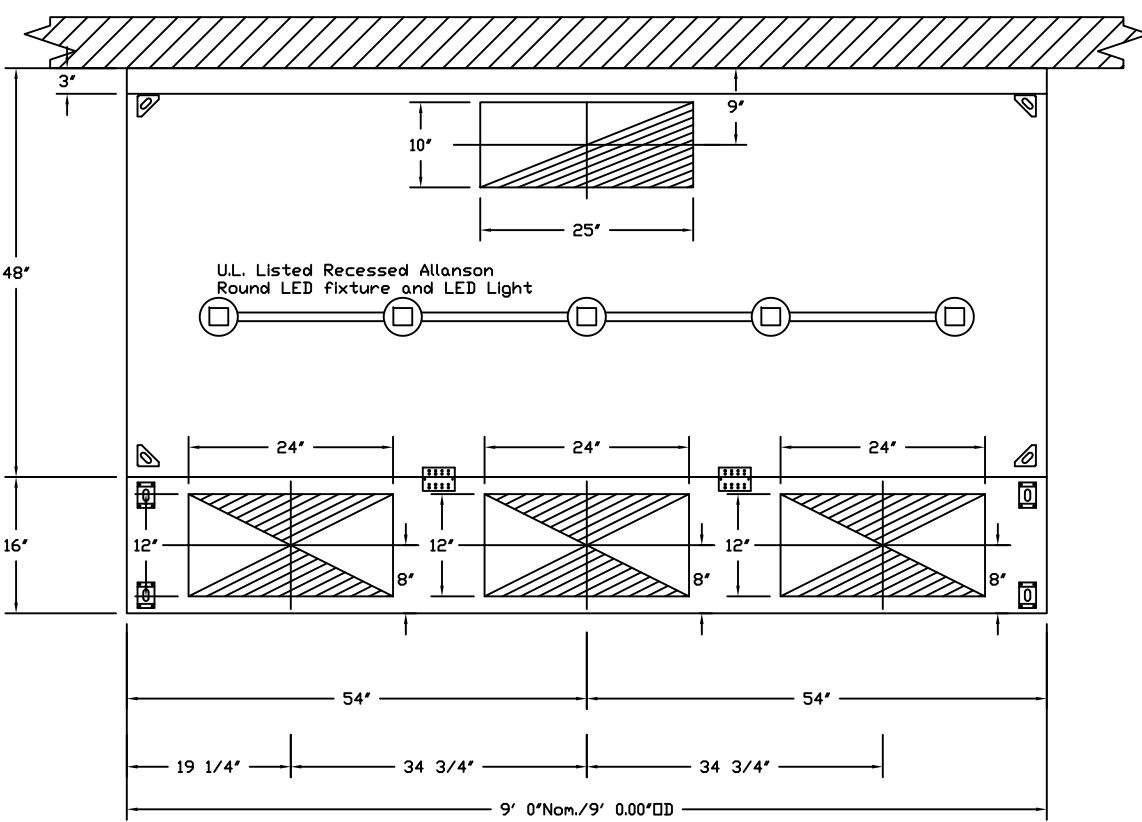
**ASSEMBLY INSTRUCTIONS**

HANGING ANGLE MUST BE SUPPORTED WITH 1/2" - 13 TPI GRADE 5 (MINIMUM) ALL-THREAD, SANDWICH HANGING ANGLES AND CEILING ANCHOR POINTS WITH 1/2" - 13 TPI (MINIMUM) STEEL FLAT WASHERS AND 1/2" - 13 TPI GRADE 5 (MINIMUM) HEX NUTS AS SHOWN. MUST USE DOUBLED HEX NUT CONFIGURATION BENEATH HOOD HANGING ANGLES AND ABOVE CEILING ANCHORS. MAINTAIN 1/4" OF EXPOSED THREADS BENEATH BOTTOM HEX NUT. TORQUE ALL HEX NUTS TO 57 FT-LBS.

**REVISIONS**

NO.	DESCRIPTION	DATE
5	Update after Hyatt ADS Review. Removed IDS.	1-31-22
6	Update after Budget Review	12-6-22
7	Update after Final Hyatt Review.	1-26-23
8	Added Water Cooled Beverage Machine to Bar.	5-15-23
No.	Revision/Issue	Date

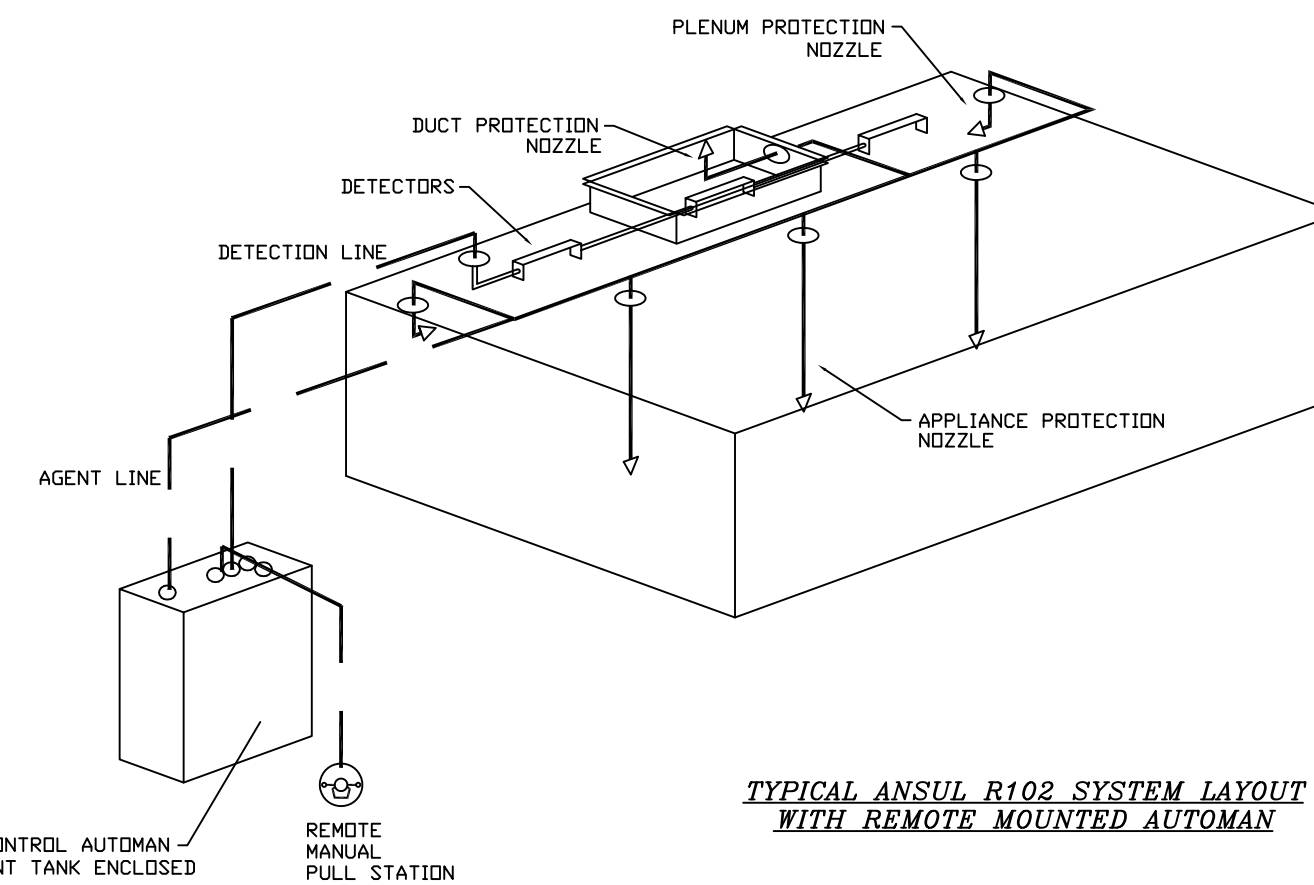
**CAPTIVE**  
Advanced Hoods Systems, LLC  
www.captivehoods.com  
FL PHONE: EMAIL: jph@captivehoods.com



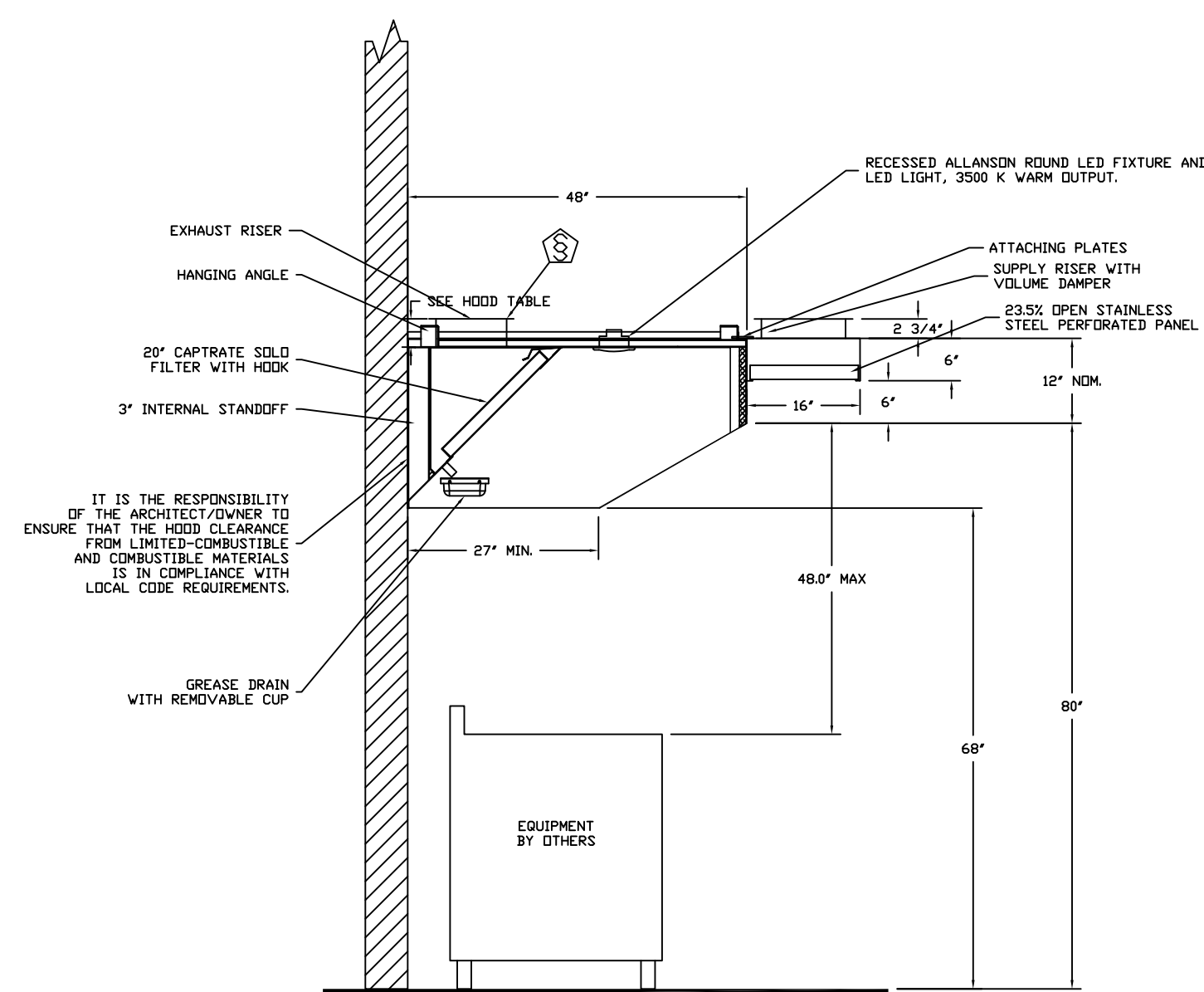
PLAN VIEW - Hood #1  
9' 0.00" LONG 4812AH-SND-2-PSP-F

**Fire System Information - Job#4308263**

FIRE SYSTEM NO.	Tag	TYPE	SIZE	FLDW POINTS	INSTALLATION	
					SYSTEM	LOCATION ON HOOD
1		Ansul R102	3.0	0	Wall Mount Right	N/A



TYPICAL ANSUL R102 SYSTEM LAYOUT WITH REMOTE MOUNTED AUTOMAN



SECTION VIEW - MODEL 4812AH-SND-2-PSP-F  
HOOD - #1

ANDAZ PROVO CONTAINER KITCHEN PROVIDENCIALES, TCI

DATE: 3/26/2020  
DWG.#: 4308263  
DRAWN BY:  
SCALE: 3/4" = 1'-0"  
MASTER DRAWING

SHEET NO. 1

**ANDAZ**  
Container Kitchen & Bar  
Providenciales T&C

**uni-source SUPPLY**  
INTERNATIONAL INC.

2055 W 73rd Street, Miami, FL 33016  
Ph: (305)826-8696 Fax: (305)826-9131

5	Update after Hyatt ADS Review. Removed IDS.	1-31-22
6	Update after Budget Review	12-6-22
7	Update after Final Hyatt Review.	1-26-23
8	Added Water Cooled Beverage Machine to Bar.	5-15-23
No.	Revision/Issue	Date

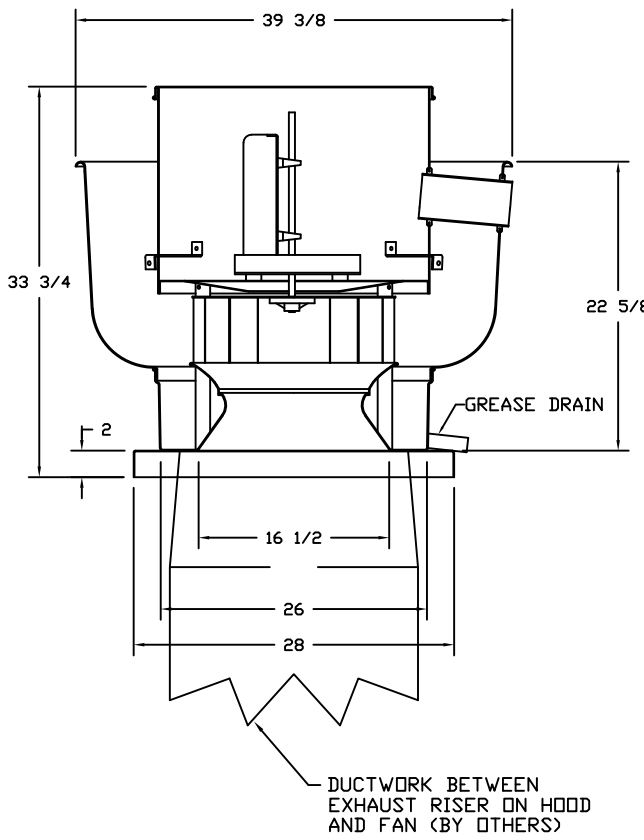
Date  
**May 15, 2023**  
Drawn By  
**Dayne Gauntlett**  
Scale  
**NTS**

Sheet  
**CK-6**

**EXHAUST FAN INFORMATION - Job#4308263**

FAN UNIT NO.	TAG	FAN UNIT MODEL #	CFM	ESP.	RPM	H.P.	B.H.P.	#	VOLT	FLA	DISCHARGE VELOCITY	WEIGHT (LBS.)	SDNES
1		AH-NCA16FA	2646	1.200	1146	1.500	1.0440	1	230	6.0	611 FPM	171	14.2

FAN #1 AH-NCA16FA - EXHAUST FAN



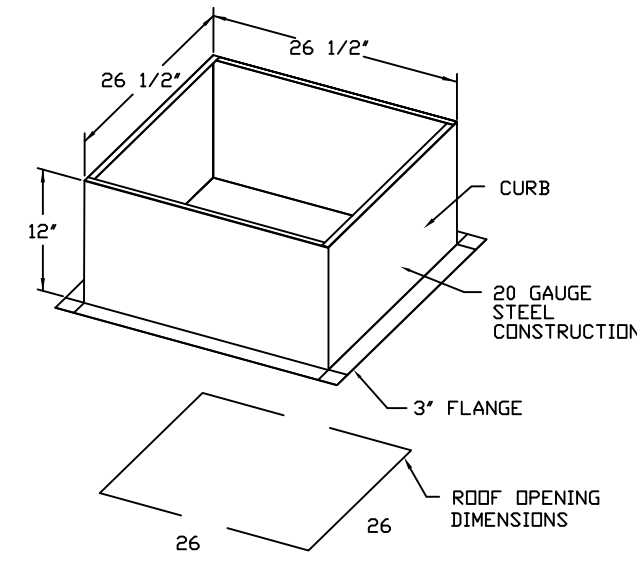
**FEATURES:**

- ROOF MOUNTED FANS
- RESTAURANT MODEL
- UL705 AND UL786 AND UL-5645
- AHCA SOUND AND AIR CERTIFIED
- WIRING FROM MOTOR TO DISCONNECT SWITCH
- WEATHERPROOF DISCONNECT
- HIGH HEAT OPERATION 300°F (149°C)
- GREASE CLASSIFICATION TESTING

**NORMAL TEMPERATURE TEST**  
EXHAUST FAN MUST OPERATE CONTINUOUSLY WHILE EXHAUSTING AIR AT 300°F (149°C) UNTIL ALL FAN PARTS HAVE REACHED THERMAL EQUILIBRIUM AND WITHOUT ANY DETERIORATING EFFECTS TO THE FAN WHICH WOULD CAUSE UNSAFE OPERATION.

**ABNORMAL FLARE-UP TEST**  
EXHAUST FAN MUST OPERATE CONTINUOUSLY WHILE EXHAUSTING BURNING GREASE VAPORS AT 600°F (316°C) FOR A PERIOD OF 15 MINUTES WITHOUT THE FAN BECOMING DAMAGED TO ANY EXTENT THAT COULD CAUSE AN UNSAFE CONDITION.

**OPTIONS:**  
GREASE BOX  
MIAMI BASE CERTIFICATION - MDA-1  
ALUMINUM UPBLAST.

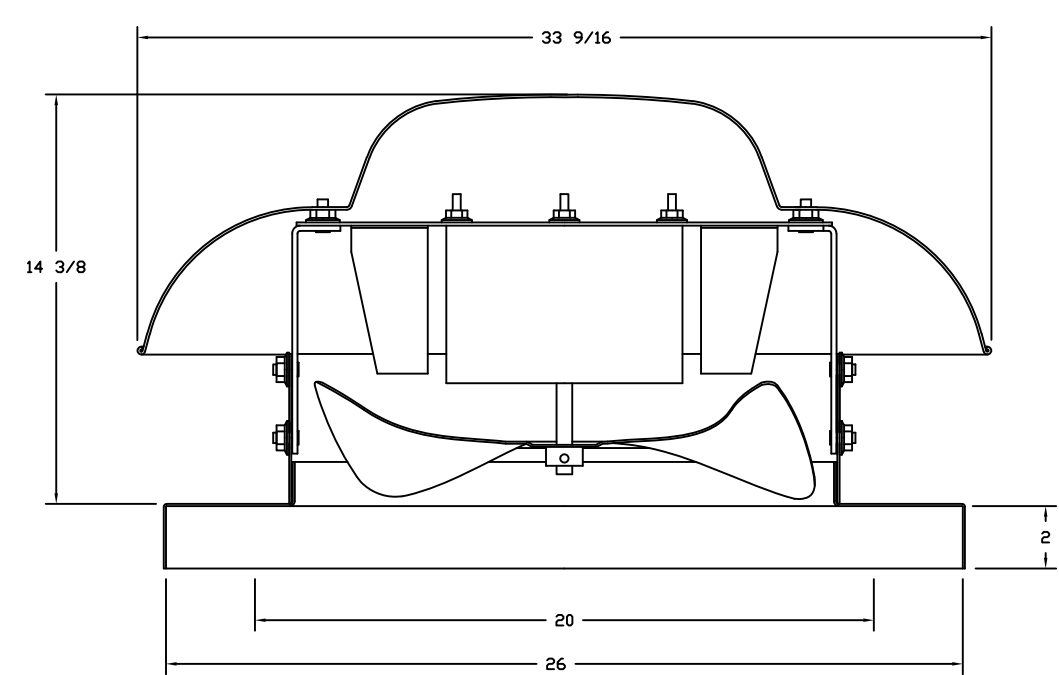


PITCHED CURBS ARE AVAILABLE FOR PITCHED ROOFS.  
SPECIFY PITCH  
EXAMPLE: 7/12 PITCH = 30° SLOPE

**MUA FAN INFORMATION - Job#4308263**

FAN UNIT NO.	TAG	FAN UNIT MODEL #	BLOWER	HOUSING	MIN CFM	DESIGN CFM	ESP.	RPM	H.P.	B.H.P.	#	VOLT	FLA	MCA	MDCP	WEIGHT (LBS.)	SDNES
2		DMUA18FA	DMUA-18-W	DMUA-18	-	1723	0.400	1075	0.333	0.3300	1	230	18	2.3A	15A	64	N/A

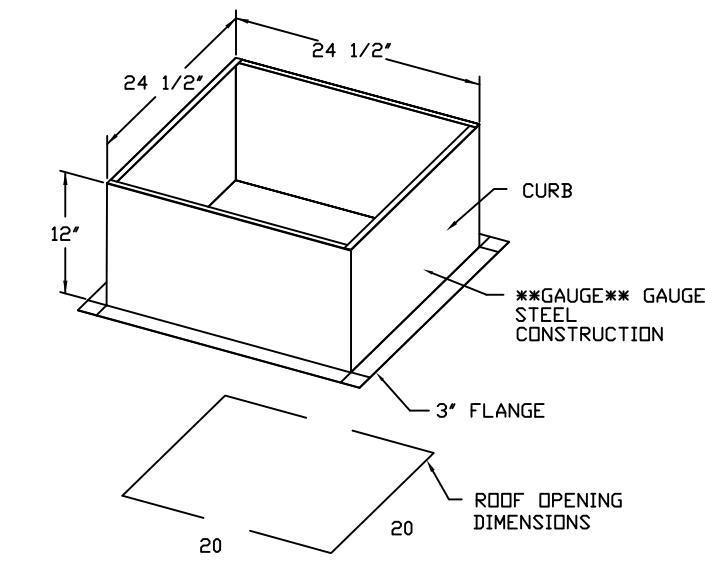
FAN #2 DMUA18FA - SUPPLY FAN



**FEATURES:**

- ROOF MOUNTED FANS
- THERMAL OVERLOAD PROTECTION
- STANDARD BIRD SCREEN
- SAFETY DISCONNECT

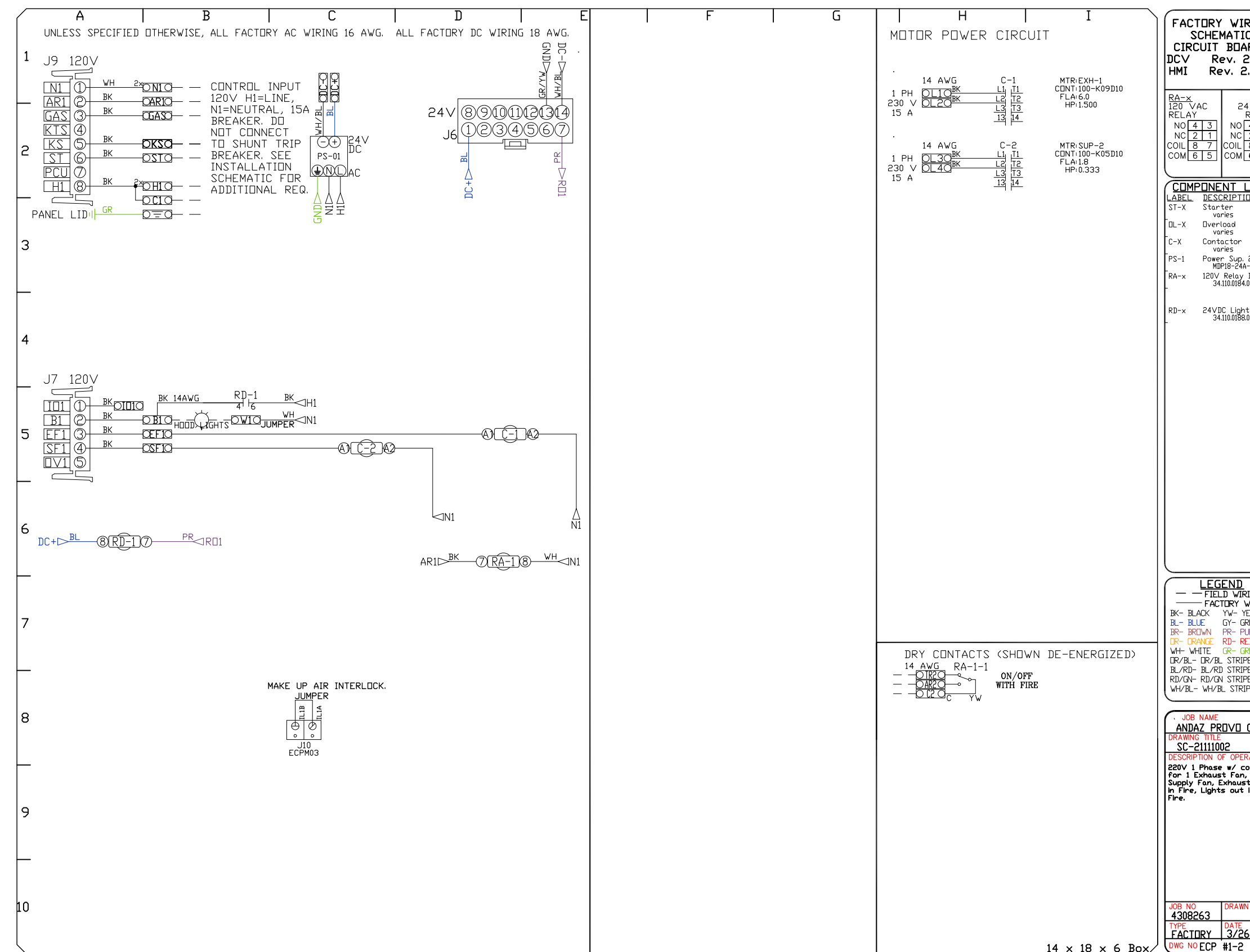
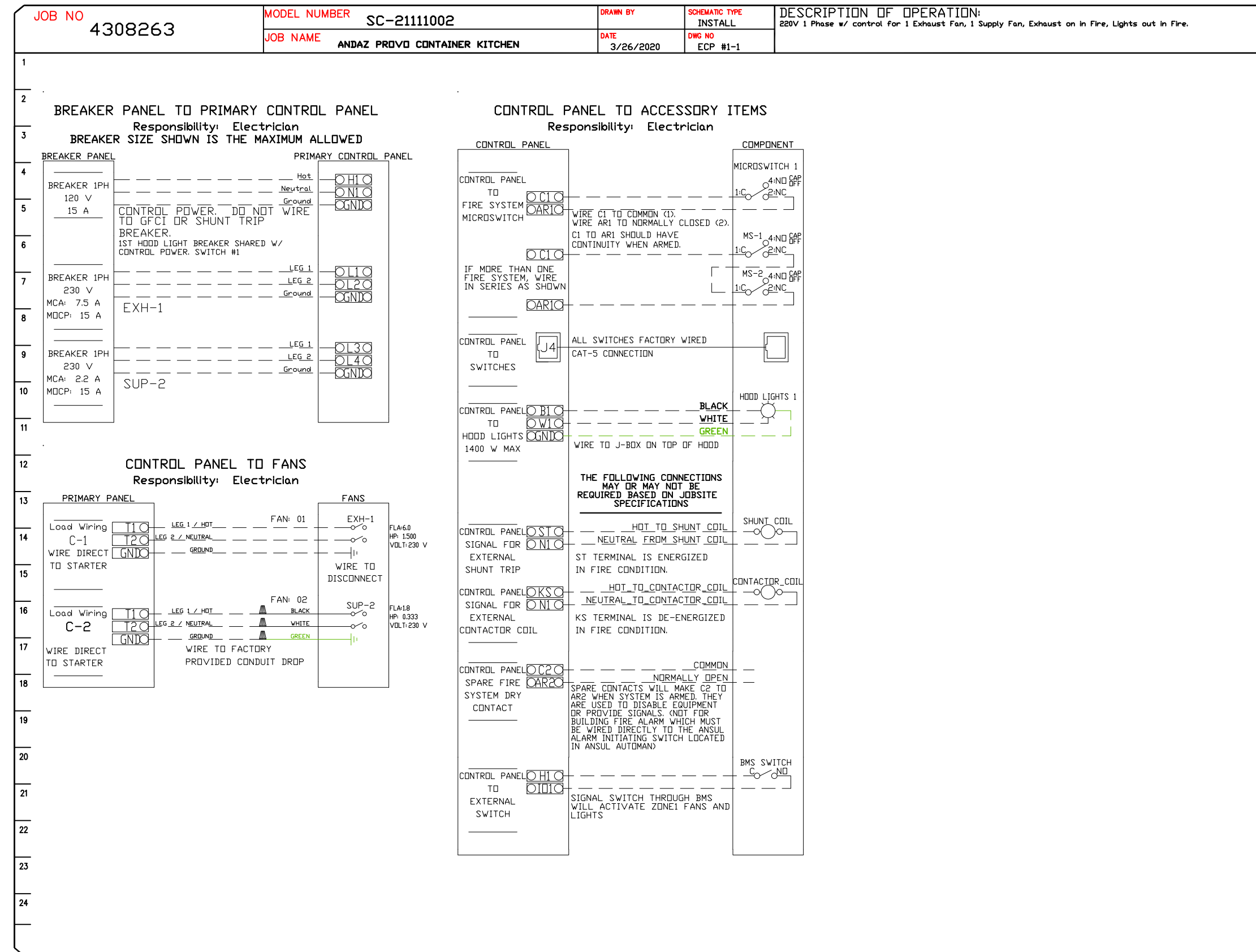
**OPTIONS:**  
MIAMI BASE CERTIFICATION.



PITCHED CURBS ARE AVAILABLE FOR PITCHED ROOFS.  
SPECIFY PITCH  
EXAMPLE: 7/12 PITCH = 30° SLOPE

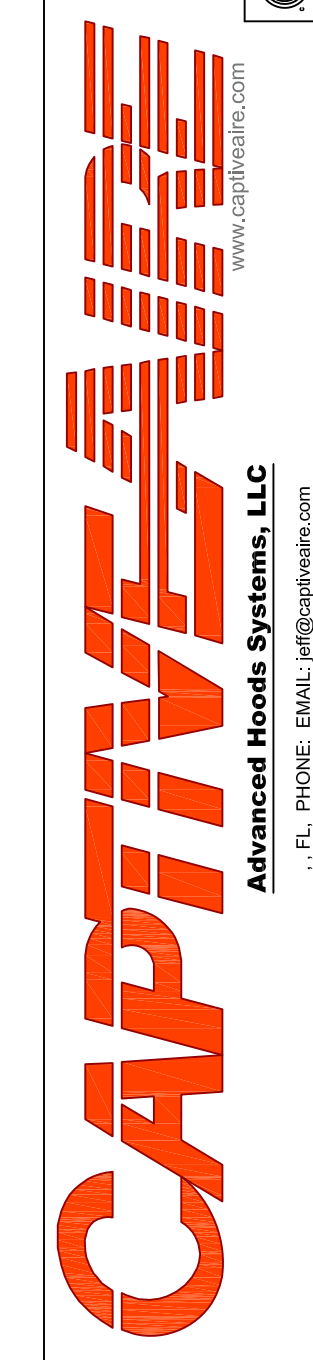
**ELECTRICAL PACKAGE - Job#4308263**

NO.	TAG	PACKAGE #	LOCATION	SWITCHES		OPTION	FANS CONTROLLED				
				LOCATION	QUANTITY		TYPE	#	H.P.	VOLT	FLA
1		SC-2111002	Wall Mount In SS Box	05 - SS Wall Mount Box	1 Light	Smart Controls Basic	Exhaust	1	1500	230	6.0
							Supply	1	0.333	230	1.8



**REVISIONS**

NO.	DESCRIPTION	DATE
1		
2		
3		



ANDAZ PROVO CONTAINER KITCHEN  
PROVIDENCIALES, TCI

DATE: 3/26/2020  
DWG.#: 4308263  
DRAWN BY:  
SCALE: 3/4" = 1'-0"  
MASTER DRAWING  
SHEET NO. 2

**ANDAZ**  
Container Kitchen & Bar  
Providenciales T&C

**uni-source SUPPLY**  
INTERNATIONAL INC.  
2055 W 73rd Street, Miami, FL 33016  
Ph:(305)826-8696 Fax:(305)826-9131

No.	Revision/Issue	Date
5	Update after Hyatt ADS Review. Removed IDS.	1-31-22
6	Update after Budget Review	12-6-22
7	Update after Final Hyatt Review.	1-26-23
8	Added Water Cooled Beverage Machine to Bar.	5-15-23

Date  
**May 15, 2023**  
Drawn By  
**Dayne Gauntlett**  
Scale  
**NTS**

Sheet  
**CK-6.1**