

EQUIPMENT SCHEDULE					
ItemNo	Category	Mfr	Model	Quantity	Equipment Remarks
1	Washer Extractor	UNIMAC	UWL065K2M	1	
2	Drying Tumbler	UNIMAC	UT075-L-QT	1	
5	Work Table, Stainless Steel Top	Advance Tabco	KMS-305	1	
7	One (1) Compartment Sink	Advance Tabco	FC-1-1620-18L	1	
9	Z Garment Racks	R&B	735	12	
10	Cart, Laundry	Steele	092010	4	
12	Vacuum Board	EuroFinish	PND-2500A	1	
12.1	Mini Boiler & Iron	EuroFinish	SVP-24	1	
13	Hand Sink	Advance Tabco	7-PS-55	2	
14	Wire Shelving Unit	NEXEL	18486N	1	
15	Wire Shelving Unit	NEXEL	18606N	13	
99	Chemical Pump	Ecolab	CHEM	1	

EQUIPMENT LAYOUT

All Dimensions to be verified on the job site.
 Actual locations for floor drains, and any ventilating equipment to be determined by Engineer.
 Mechanical, Plumbing & Electrical to be checked and verified by Customers MEP Engineer.
 Remote Condensing Units to be located by Architect.
 Exhaust & Supply fans to be located by Architect.

A N d a Z

Laundry
 Provisionales T&C



INTERNATIONAL INC.

2055 W 73rd Street, Miami, FL 33016

Ph: (305)826-8696 Fax: (305)826-9131

1	Preliminary Layout	2-26-20
2	Updated with changes from Hyatt ADA Review.	5-8-20
3		
4		
No.	Revision/Issue	Date

Date

May 08, 2020

Drawn By

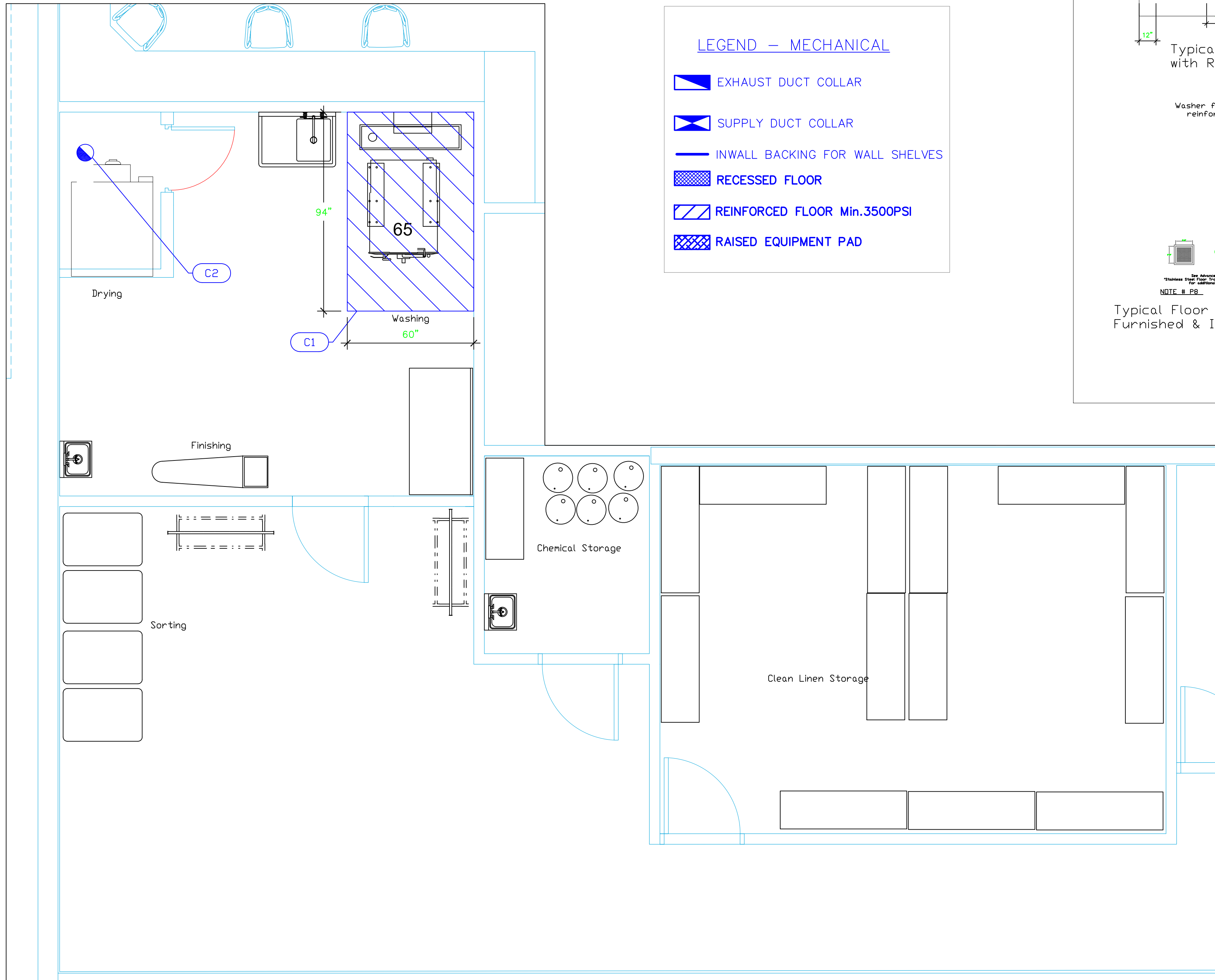
Dayne Gauntlett

Scale

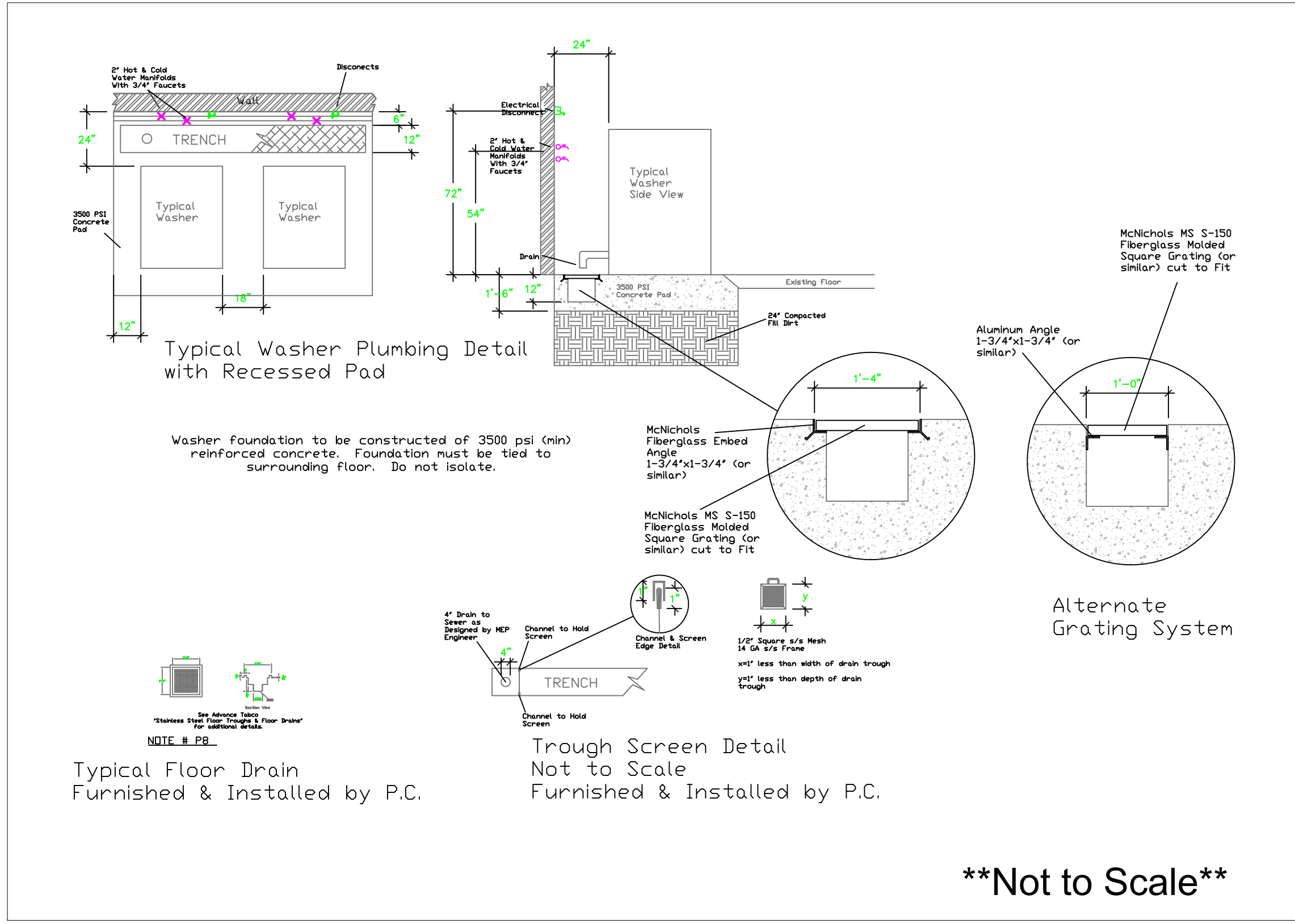
3/8" = 1'0"

Sheet

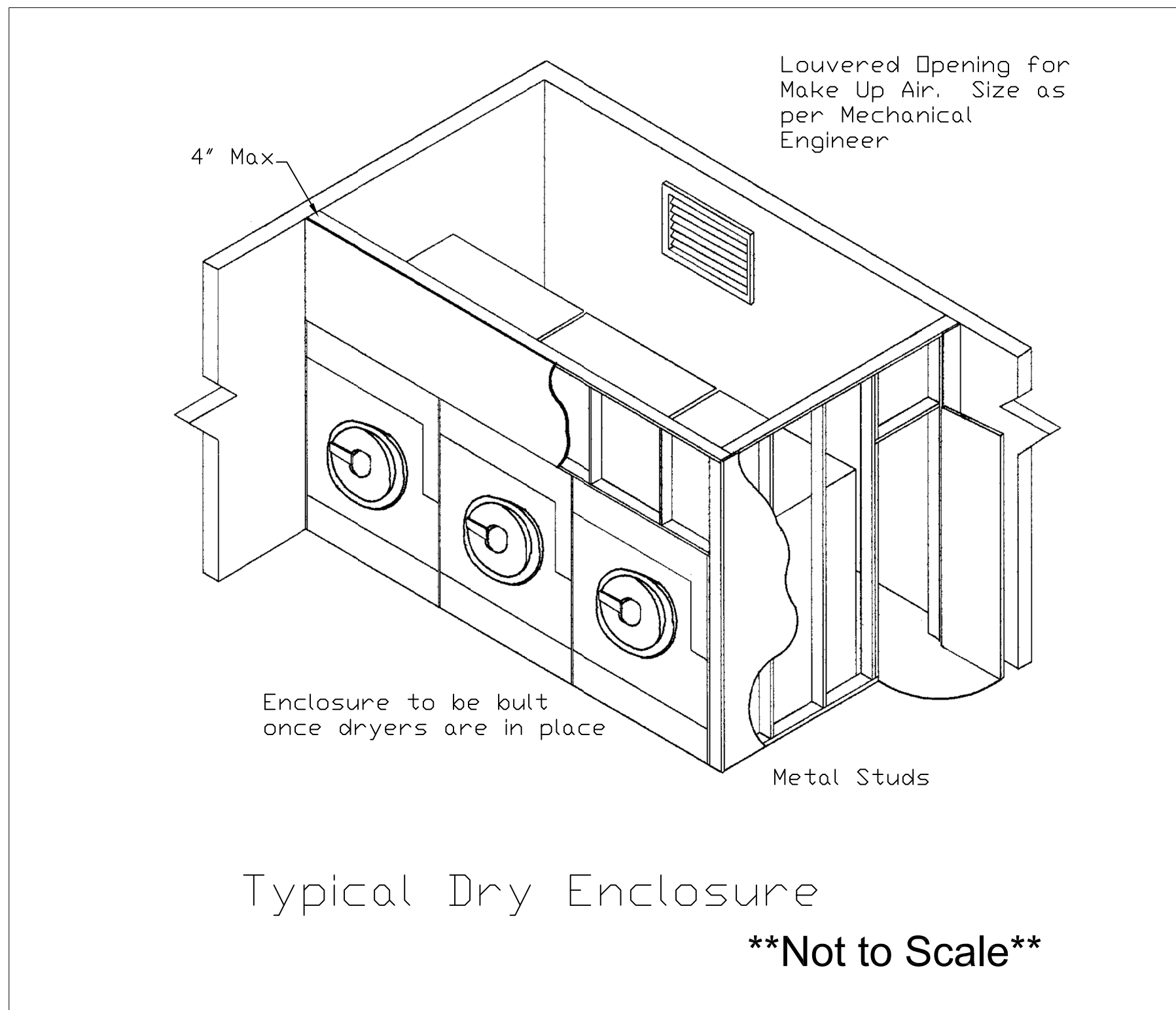
ML-1



- LEGEND - MECHANICAL**
- EXHAUST DUCT COLLAR
 - SUPPLY DUCT COLLAR
 - INWALL BACKING FOR WALL SHELVES
 - RECESSED FLOOR
 - REINFORCED FLOOR Min.3500PSI
 - RAISED EQUIPMENT PAD



****Not to Scale****



NOTE # M5
 ALL NATIONAL, STATE, AND LOCAL CODES SHALL APPLY

NOTE # M6
 ARCHITECT OR ENGINEER TO SIZE AND LOCATE, CONTRACTOR TO PROVIDE ALL OPENINGS FOR DUCTS, PLUMBING LINES, ELECTRICAL LINES, AND REFRIGERATION LINES, AS REQUIRED BY EQUIPMENT.

NOTE # M7
 SUPPLY FANS TO BE LOCATED A MINIMUM OF 10' FROM EXHAUST FANS.

NOTE # M8
 SHOP DRAWING WILL BE PROVIDED BY MANUFACTURER FOR HOOD, EXHAUST FANS, & SUPPLY FANS, UNCE ORDER IS PLACE WITH.

NOTE # M9
 GENERAL CONTRACTOR TO PROVIDE 2" FLYWOOD WALL BACKING FROM 48" TO 78" AFF FOR ALL WALL MOUNTED EQUIPMENT.

NOTE # M10
 CEILING HEIGHTS TO BE VERIFIED FOR SUFFICIENT CLEARANCE FOR EQUIPMENT.

NOTE # M11
 REFRIGERATION CONTRACTOR TO HANG EVAPORATORS FOR WALK-IN, RUN & CHARGE LINES BETWEEN EVAP. & CONDENSING UNIT.

Equipment MECHANICAL Service Requirements

All Dimensions to be verified on the job site. Actual locations for floor drains, and any ventilating equipment to be determined by Engineer. Mechanical, Plumbing & Electrical to be checked and verified by Customers MEP Engineer. Remote Condensing Units to be located by Architect. Exhaust & Supply fans to be located by Architect.

Mechanical Schedule							
ITEM NO.	QTY	DISCRIPTION	EXHAUST (L X W)	EXHAUST (CFM)	Makeup Vent Width	SUPPLY (CFM)	Ventilation Remarks
1	1	Washer Extractor					Reinforced Concrete Pad
2	1	Drying Tumbler	8" dia	920			

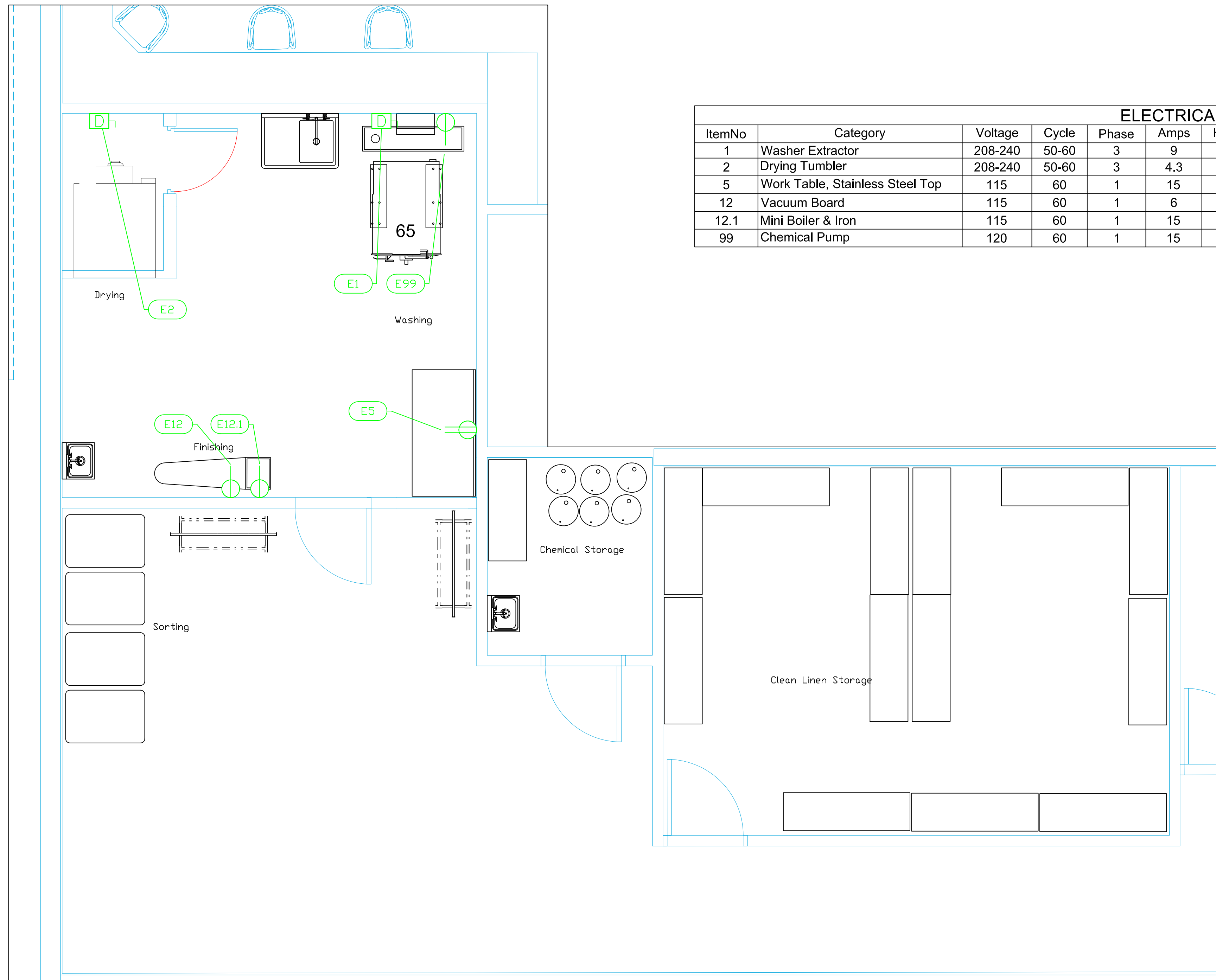
A N D A Z
 Laundry
 Providenciales T&C

uni-source
 SUPPLY
 INTERNATIONAL INC.
 2055 W 73rd Street, Miami, FL 33016
 Ph:(305)826-8696 Fax:(305)826-9131

No.	Revision/Issue	Date
1	Preliminary Layout	2-26-20
2	Updated with changes from Hyatt ADA Review.	5-8-20
3		
4		

Date
May 08, 2020
 Drawn By
Dayne Gauntlett
 Scale
3/8" = 1'0"

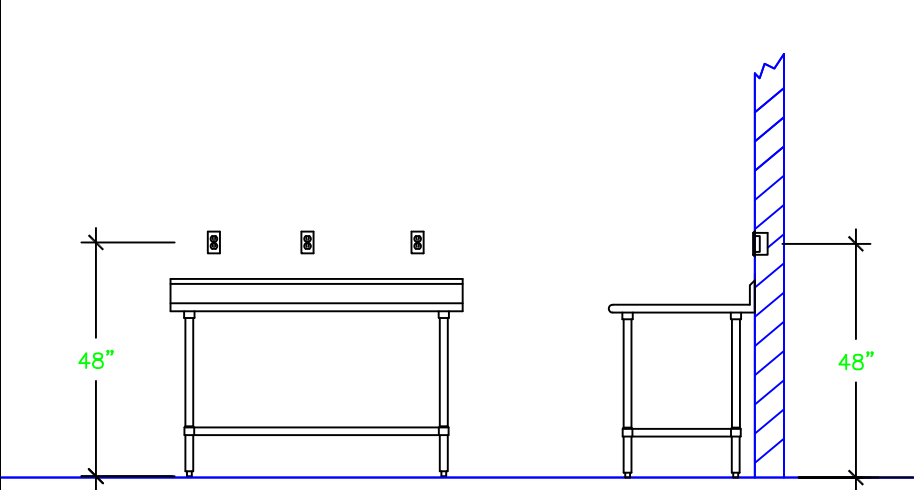
Sheet
ML-2



ELECTRICAL SCHEDULE										
ItemNo	Category	Voltage	Cycle	Phase	Amps	Hp	Connection Type	Rough-In AFF	Quantity	Electrical Remarks
1	Washer Extractor	208-240	50-60	3	9		Disconnect	72"	1	
2	Drying Tumbler	208-240	50-60	3	4.3		Disconnect	72"	1	
5	Work Table, Stainless Steel Top	115	60	1	15		Duplex	48"	1	Convenience Outlet, See Note E1
12	Vacuum Board	115	60	1	6		Simplex	18"	1	
12.1	Mini Boiler & Iron	115	60	1	15		Simplex	18"	1	
99	Chemical Pump	120	60	1	15		Simplex	36"	1	

LEGEND - ELECTRICAL CONNECTIONS

- DUPLEX RECEPT., 15-AMP, 120-VOLT, GROUND TYPE, HORIZONTAL MOUNT
- SIMPLEX RECEPT., 120-VOLT, GROUND TYPE, HORIZONTAL MOUNT
- SPECIAL PURPOSE OUTLET, GROUND TYPE, HORIZONTAL MOUNT
- JUNCTION BOX, DIRECT CONNECTION
- DISCONNECT SWITCH, DIRECT CONNECTION
- FLOOR/CEILING RECEPTACLE AS INDICATED
- (2) Telephone + (2) Data
- FIELD CONNECTIONS
- HARD WIRE CONNECTION POINT AT MACHINE



NOTE # E1
TYPICAL OUTLETS IN WALL
ABOVE TABLE, BY ELECTRICIAN
NOT TO SCALE

NOTE # E2.
ALL NATIONAL, STATE, AND LOCAL
CODES SHALL APPLY

NOTE # E3.
ALL ELECTRICAL CONNECTIONS
AND HARDWARE REQUIRED TO BE
PROVIDED BY ELECTRICAL
CONTRACTOR

NOTE # E4.
ALL JUNCTION BOXES, OUTLETS,
ETC. TO BE LOCATED SO AS TO
NOT INTERFERE WITH EQUIPMENT

NOTE # E5.
ALL RELAYS, CONTRACTORS,
STARTERS, AND SWITCHES
REQUIRED FOR EXHAUST & SUPPLY
FANS TO BE PROVIDED BY
ELECTRICAL CONTRACTOR
UNLESS SPECIFIED

NOTE # E6.
ELECTRICAL CONTRACTOR TO
INTERCONNECT DISHMACHINE TO
EXHAUST FAN FOR DISHMACHINE
SO THAT THE FAN RUNS WHEN
THE DISHMACHINE IS IN
OPERATION.

NOTE # E7.
ELECTRICAL CONTRACTOR TO
INSTALL TABLE LIMIT SWITCH TO
END OF CLEAN DISHTABLE TO
THAT MACHINE STOPS WHEN
SWITCH IS DEPRESSED.

NOTE # E8.
ELECTRICAL CONTRACTOR TO
CONNECT DRAIN LINE HEATER,
PAN HEATER AND DDDR HEATER
FOR WALK-IN FREEZER.

Equipment ELECTRICAL Service Requirements

All Dimensions to be verified on the job site.
Actual locations for floor drains, and any ventilating
equipment to be determined by Engineer.
Mechanical, Plumbing & Electrical to be checked and verified
by Customers MEP Engineer.
Remote Condensing Units to be located by Architect.
Exhaust & Supply fans to be located by Architect.

A N d a Z
Laundry
Providenciales T&C



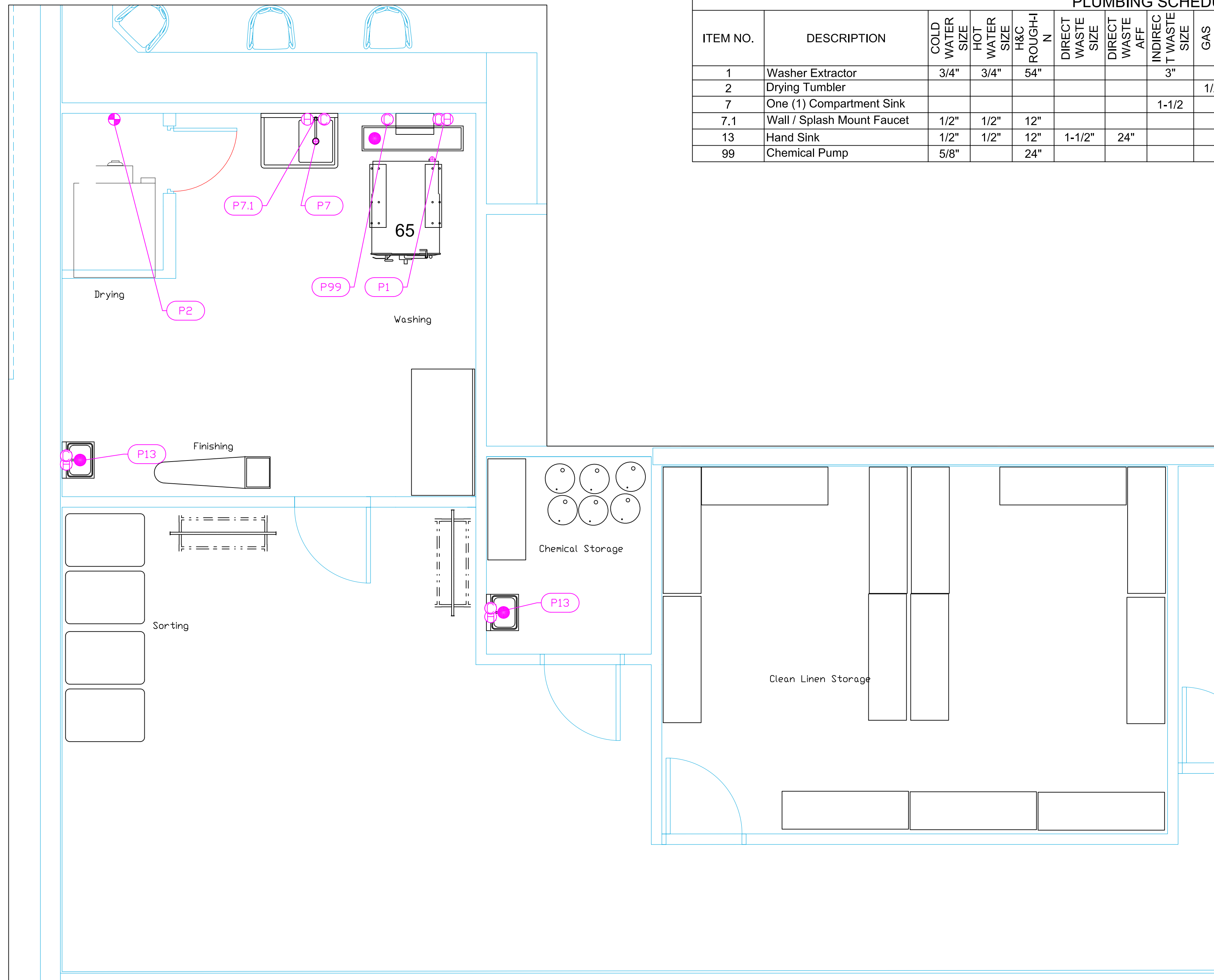
INTERNATIONAL INC.

2055 W 73rd Street, Miami, FL 33016
Ph:(305)826-8696 Fax:(305)826-9131

1	Preliminary Layout	2-26-20
2	Updated with changes from Hyatt ADA Review.	5-8-20
3		
4		
No.	Revision/Issue	Date

Date
May 08, 2020
Drawn By
Dayne Gauntlett
Scale
3/8" = 1'0"

Sheet
ML-3



PLUMBING SCHEDULE												
ITEM NO.	DESCRIPTION	COLD WATER SIZE	HOT WATER SIZE	H&C ROUGH-IN	DIRECT WASTE SIZE	DIRECT WASTE AFF. SIZE	INDIRECT WASTE SIZE	GAS SIZE (IN)	GAS CONN. AFF.	GAS MBTU	QTY	PLUMBING REMARKS
1	Washer Extractor	3/4"	3/4"	54"			3"				1	Waste to Floor Sink
2	Drying Tumbler							1/2"	66"	165	1	
7	One (1) Compartment Sink						1-1/2"				1	(1) set of 1/2" faucet holes, 8" OC
7.1	Wall / Splash Mount Faucet	1/2"	1/2"	12"							1	
13	Hand Sink	1/2"	1/2"	12"	1-1/2"	24"					2	(1) set of 1" faucet holes, 4" OC, splash mount
99	Chemical Pump	5/8"		24"							1	Garden Hose Bib

LEGEND - PLUMBING CONNECTIONS

- HW-HOT WATER, OR CW-COLD WATER
- ⊕ GAS
- WASTE, DIRECT-CONNECTED
- WASTE, INDIRECT to Floor Sink
- ⊕ FLOOR DRAIN Josam 30000-A3
- ⊕ FUNNEL FLOOR DRAIN Josam 30000-E3

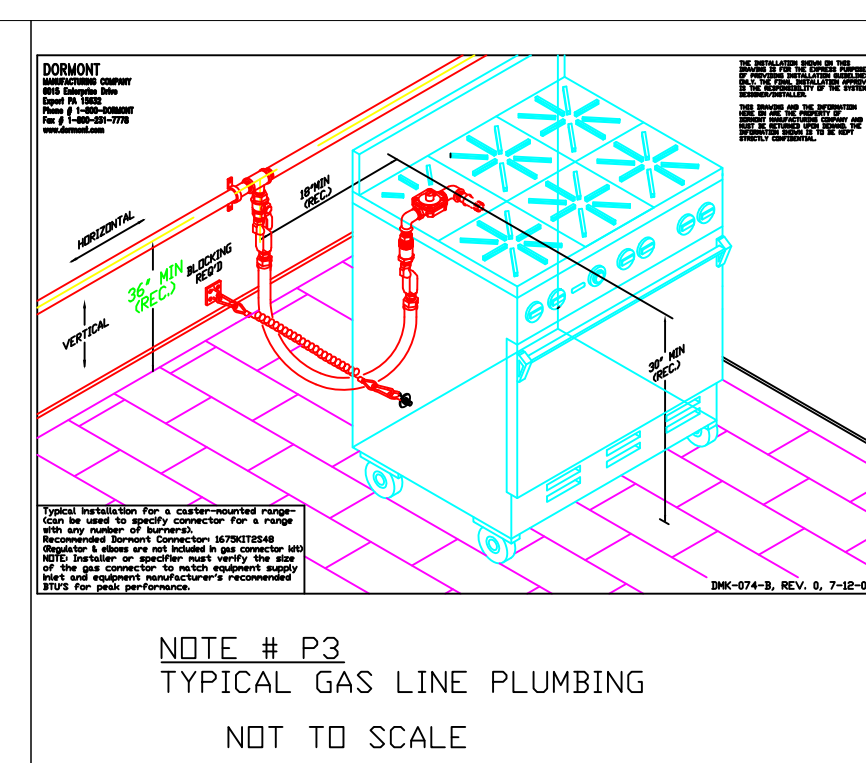
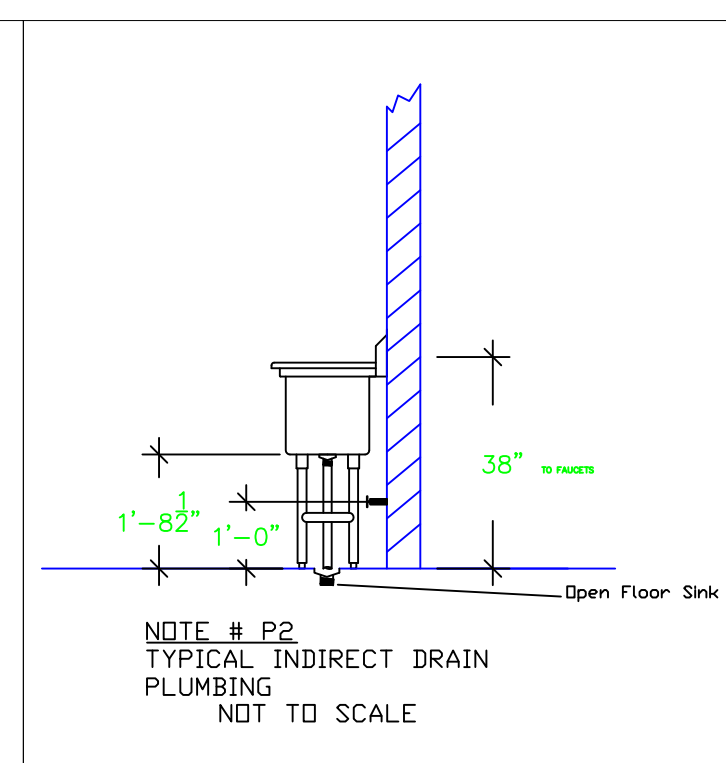
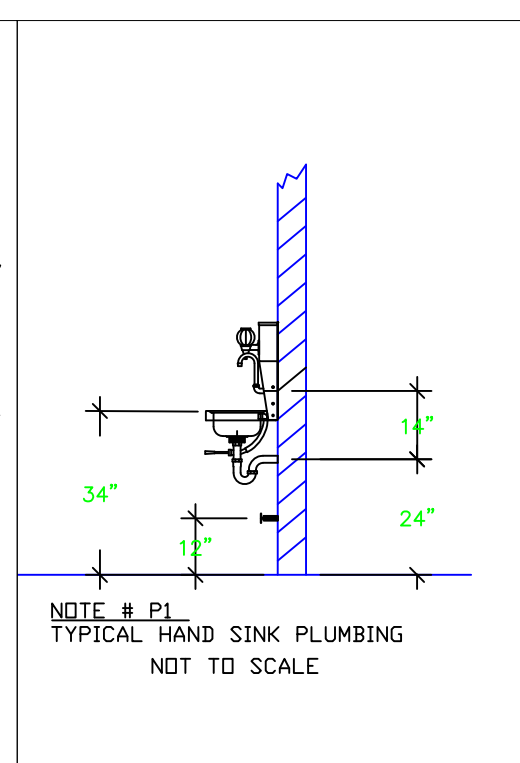
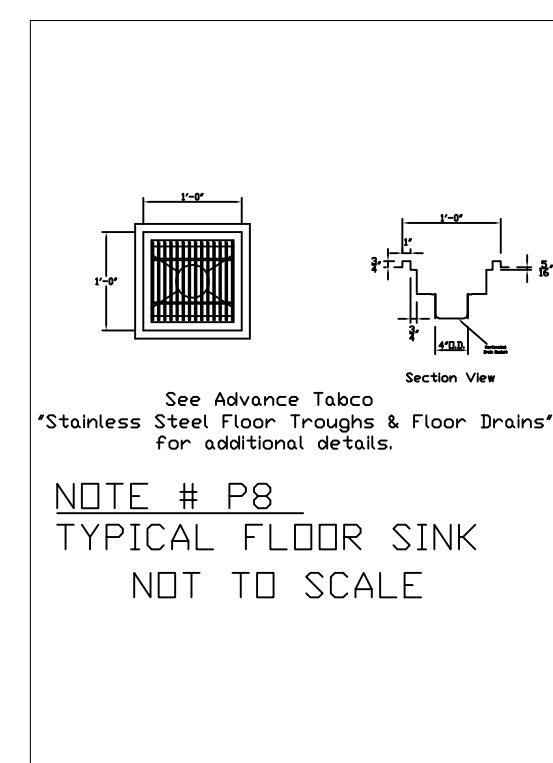
A N D A Z
Laundry
Providenciales T&C

uni-source
SUPPLY
 INTERNATIONAL INC.
 2055 W 73rd Street, Miami, FL 33016
 Ph:(305)826-8696 Fax:(305)826-9131

1	Preliminary Layout	2-26-20
2	Updated with changes from Hyatt ADA Review	5-8-20
3		
4		
No.	Revision/Issue	Date

Date
May 08, 2020
 Drawn By
Dayne Gauntlett
 Scale
3/8" = 1'0"

Sheet
ML-4



NOTE # P4:
 ALL NATIONAL, STATE, AND LOCAL CODES SHALL APPLY

NOTE # P5:
 ALL PLUMBING CONNECTIONS TO BE EXTENDED AND INTERCONNECTED TO EQUIPMENT AND ALL HARDWARE REQUIRED TO BE PROVIDED BY PLUMBING CONTRACTOR

NOTE # P6:
 PLUMBING CONTRACTOR TO VERIFY THAT ALL EQUIPMENT IS INSTALLED WITH THE APPROPRIATE GAS PRESSURE AND REGULATORS

NOTE # P7:
 ALL WASTE LINES AND CONDENSATE LINES TO BE EXTEND FROM EQUIPMENT TO FLOOR DRAINS BY PLUMBING CONTRACTOR.

Equipment PLUMBING Service Requirements

All Dimensions to be verified on the job site. Actual locations for floor drains, and any ventilating equipment to be determined by Engineer. Mechanical, Plumbing & Electrical to be checked and verified by Customers MEP Engineer. Remote Condensing Units to be located by Architect. Exhaust & Supply fans to be located by Architect.