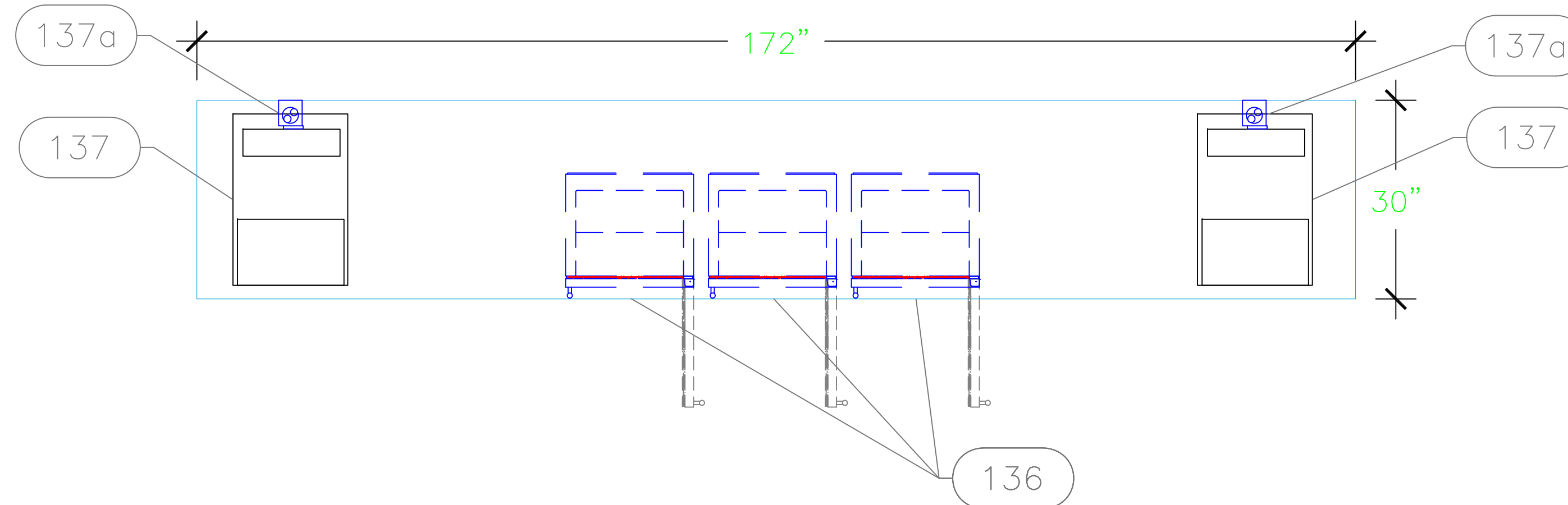


**BUFFET ISLAND**



**COFFEE & TEA COUNTER**

**EQUIPMENT SCHEDULE**

ItemNo	Category	Mfr	Model	Quantity	Equipment Remarks	Unit	Special
<b>COFFEE &amp; TEA COUNTER</b>							
136	Undercounter Refrigerator	Summit	SPR488BOSADA	3		ea	
137	COFFEE MACHINE	Owner	COFFEE MACHINE	2		ea	By Other
137a	Water Filtration System, for Espresso & Tea Machines	Everpure	QL3B 2FC5	2		ea	By Other
138	Sneeze Guard, Stationary	BSI	ZG9950	1		ea	
<b>BUFFET ISLAND</b>							
140	Cold Shelf	Hatco	CSBFR-36-I	2		ea	
141	Sneeze Guard, Stationary	BSI	ZG9950	1		ea	
142	Hot Food Well Unit, Drop-In, Electric	Hatco	HWB-11QT	2		ea	
143	Pop-Up Toaster	Waring	WCT708	2		ea	

**EQUIPMENT LAYOUT**

All Dimensions to be verified on the job site.  
 Actual locations for floor drains, and any ventilating equipment to be determined by Engineer.  
 Mechanical, Plumbing & Electrical to be checked and verified by Customers MEP Engineer.  
 Remote Condensing Units to be located by Architect.  
 Exhaust & Supply fans to be located by Architect.

**Global Lounge  
 Coffee & Buffet Bar Areas  
 Bahamas**



INTERNATIONAL INC.

2055 W 73rd Street, Miami, FL 33016  
 Ph: (305)826-8696 Fax: (305)826-9131

1	Preliminary Layout	2-17-26
2	Rotated Sneeze Guard	4-8-26
3		
4		
No.	Revision/Issue	Date

Date  
**April 4 2026**  
 Drawn By  
**Paola Mendez**  
 Scale  
**3/4" = 1'0"**

Sheet  
**CB-1.0**